

**MULTIFUNCTIONAL DIGITAL COLOR SYSTEMS /  
MULTIFUNCTIONAL DIGITAL SYSTEMS**

# **Specifications Guide**

---

**e-STUDIO2010AC/2510AC**

**e-STUDIO2515AC/3015AC/3515AC/4515AC/5015AC**

**e-STUDIO2018A/2518A/3018A/3518A/4518A/5018A**



# Preface

---

Thank you for purchasing TOSHIBA Multifunctional Digital Systems or Multifunctional Digital Color Systems. This manual describes about the specifications of this equipment and the information of the options. Read this manual before using this equipment. Some models provide the scanning/printing function as an option.

## ■ How to read this manual

### □ Symbols in this manual


In this manual, some important items are described with the symbols shown below. Be sure to read these items before using this equipment.

**⚠ WARNING** Indicates a potentially hazardous situation which, if not avoided, could result in death, serious injury, or serious damage, or fire in the equipment or surrounding assets.

**⚠ CAUTION** Indicates a potentially hazardous situation which, if not avoided, may result in minor or moderate injury, partial damage to the equipment or surrounding assets, or loss of data.

**Note** Indicates information to which you should pay attention when operating the equipment.

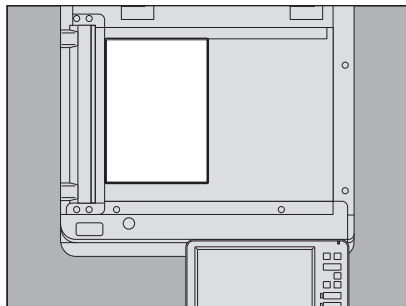
**Tip** Describes handy information that is useful to know when operating the equipment.

 Pages describing items related to what you are currently doing. See these pages as required.

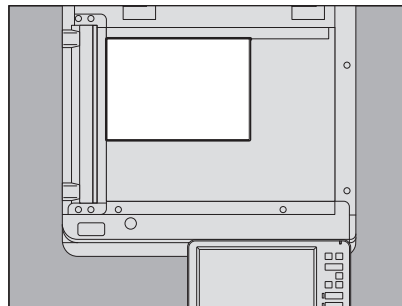
### □ Description of original/paper direction

Paper or originals of A4, B5 or LT size can be placed either in a portrait direction or in a landscape direction. In this manual, “-R” is added to this paper size when this size of paper or original is placed in a landscape direction.

e.g.) A4 size original on the original glass



Placed in a portrait direction: A4



Placed in a landscape direction: A4-R

Paper or originals of A3, B4, LD or LG can only be placed in a landscape direction, therefore “-R” is not added to these sizes.

### □ Target audience for this manual

This is a manual that is aimed at general users and administrators.

---

## ❑ Model and series names in this manual

In this manual, each model name is replaced with a series name as shown below:

Model name	Series name
e-STUDIO2010AC/2510AC	e-STUDIO5015AC Series
e-STUDIO2515AC/3015AC/3515AC/4515AC/5015AC	
e-STUDIO2018A/2518A/3018A/3518A/4518A/5018A	e-STUDIO5018A Series

## ❑ Abbreviations in this manual

In this manual, “Dual Scan Document Feeder” is referred to as “DSDF” and “Reversing Automatic Document Feeder” as “RADF”.

## ❑ Trademarks

For trademarks, refer to the *Safety Information*.

# CONTENTS

---

<b>Preface</b> .....	<b>3</b>
How to read this manual .....	3

## **Chapter 1 SPECIFICATIONS OF PAPER**

---

<b>Acceptable copy paper</b> .....	<b>8</b>
e-STUDIO2010AC/2510AC.....	8
e-STUDIO2515AC/3015AC/3515AC/4515AC/5015AC .....	11
e-STUDIO2018A/2518A/3018A/3518A/4518A/5018A.....	15

## **Chapter 2 SPECIFICATIONS OF EQUIPMENT**

---

<b>e-STUDIO2010AC/2510AC</b> .....	<b>20</b>
Continuous copy speed .....	22
<b>e-STUDIO2515AC/3015AC/3515AC/4515AC/5015AC</b> .....	<b>23</b>
Continuous copy speed .....	25
<b>e-STUDIO2018A/2518A/3018A/3518A/4518A/5018A</b> .....	<b>30</b>
Continuous copy speed .....	31
<b>List of Internal Fonts</b> .....	<b>35</b>
Internal PCL fonts list.....	35
Internal PS fonts list.....	36
<b>Template</b> .....	<b>38</b>

## **Chapter 3 SPECIFICATIONS OF OPTIONS**

---

<b>Outlines of Options</b> .....	<b>40</b>
Option.....	40
Finishing modes and optional finishing devices .....	41
<b>Document feed</b> .....	<b>44</b>
Reversing Automatic Document Feeder.....	44
Dual Scan Document Feeder .....	44
<b>Paper feed</b> .....	<b>45</b>
Paper Feed Pedestal and Additional Drawer Module .....	45
Paper Feed Unit .....	45
Envelope Drawer .....	46
Large Capacity Feeder .....	46
<b>Exit Options</b> .....	<b>47</b>
Job Separator .....	47
Bridge Unit .....	47
Finisher (for e-STUDIO5015AC Series/e-STUDIO5018A Series) .....	48
Saddle Stitch Finisher (for e-STUDIO5015AC Series/e-STUDIO5018A Series) .....	51
Inner Finisher (for e-STUDIO5015AC Series/e-STUDIO5018A Series) .....	55
Hole Punch Unit MJ-6011 Series (for e-STUDIO5015AC Series / e-STUDIO5018A Series) .....	57
Hole Punch Unit MJ-6105 Series (for e-STUDIO5015AC Series / e-STUDIO5018A Series) .....	58
<b>System Options</b> .....	<b>59</b>
FAX Unit .....	59
Wireless LAN and Bluetooth units.....	60

<b>INDEX</b> .....	<b>61</b>
--------------------	-----------



## SPECIFICATIONS OF PAPER

<b>Acceptable copy paper</b> .....	<b>8</b>
e-STUDIO2010AC/2510AC.....	8
e-STUDIO2515AC/3015AC/3515AC/4515AC/5015AC .....	11
e-STUDIO2018A/2518A/3018A/3518A/4518A/5018A.....	15

## Acceptable copy paper

The following paper can be placed and used for copying.

The values are valid only when Toshiba-recommended paper is used.

Depending on the paper type or condition, the expected print quality sometimes cannot be obtained or the output paper may not be aligned properly.

### Tip

- “LT format” is the standard size only for use in North America.
- “K format” is a Chinese standard size.
- Abbreviations for paper sizes: LT: Letter, LD: Ledger, LG: Legal, ST: Statement, COMP: Computer, SQ: Square

## ■ e-STUDIO2010AC/2510AC

Feeder	Media Type	Weight	Maximum sheet capacity	Size
Drawer	Plain, Recycled Paper	60 - 80 g/m <sup>2</sup> 16 - 20 lb. Bond	277 sheets (64 g/m <sup>2</sup> ) (17 lb. Bond) 250 sheets (80 g/m <sup>2</sup> ) (20 lb. Bond)	<b>A/B format:</b> A3, A4, A4-R, A5-R, B4, B5, B5-R, FOLIO  <b>LT format:</b> LD, LG, LT, LT-R, ST-R, COMP, 13"LG, 8.5"SQ  <b>K format:</b> 8K, 16K, 16K-R  <b>Non-standard size*1:</b> Length: 140 - 297 mm (5.5" - 11.7"), Width: 210 - 432 mm (8.3" - 17")
	Thick	81 - 105 g/m <sup>2</sup> 21 - 28 lb. Bond	231 sheets	
	Thick 1	106 - 163 g/m <sup>2</sup> 29 lb. Bond - 90 lb Index	69 sheets	
Paper Feed Unit Paper Feed Pedestal Additional Drawer Module	Plain, Recycled Paper	64 - 80 g/m <sup>2</sup> 17 - 20 lb. Bond	600 sheets (64 g/m <sup>2</sup> ) (17 lb. Bond) 550 sheets (80 g/m <sup>2</sup> ) (20 lb. Bond)	<b>Non-standard size*1:</b> Length: 140 - 297 mm (5.5" - 11.7"), Width: 210 - 432 mm (8.3" - 17")
	Thick	81 - 105 g/m <sup>2</sup> 21 - 28 lb. Bond	500 sheets	
	Thick 1	106 - 163 g/m <sup>2</sup> 29 lb. Bond - 90 lb Index	300 sheets	
Large Capacity Feeder	Plain, Recycled Paper	64 - 80 g/m <sup>2</sup> 17 - 20 lb. Bond	2360 sheets (64 g/m <sup>2</sup> ) (17 lb. Bond) 2000 sheets (80 g/m <sup>2</sup> ) (20 lb. Bond)	A4, LT
	Thick	81 - 105 g/m <sup>2</sup> 21 - 28 lb. Bond	1660 sheets	



Feeder	Media Type	Weight	Maximum sheet capacity	Size
Envelope Drawer	Plain, Recycled Paper	60 - 80 g/m <sup>2</sup> 16 - 20 lb. Bond	600 sheets (64 g/m <sup>2</sup> ) (17 lb. Bond) 550 sheets (80 g/m <sup>2</sup> ) (20 lb. Bond)	<b>A/B format:</b> A4-R, B5-R, A5-R  <b>LT format:</b> LG, 13"LG, LT-R, ST-R  <b>K format:</b> 16K-R  <b>Envelope:</b> DL (110 mm x 220 mm), COM10 (4 1/8" x 9 1/2"), Monarch (3 7/8" x 7 1/2"), CHO-3 (120 mm x 235 mm), YOU-4 (105 mm x 235 mm), KAKU-2 (240 mm x 332 mm)  <b>Non-standard size (Envelope)*1:</b> Length: 100 - 240 mm (3.9" - 9.4") Width: 162 - 380 mm (6.4" - 15")
	Thick	81 - 105 g/m <sup>2</sup> 21 - 28 lb. Bond	500 sheets	
	Thick 1	106 - 163 g/m <sup>2</sup> 29 lb. Bond - 90 lb. Index	300 sheets	
	Envelope *2, *3, *4	—	60 sheets (50 mm in height or less)	
Bypass tray	Plain, Recycled Paper	60 - 80 g/m <sup>2</sup> 16 - 20 lb. Bond	100 sheets	<b>A/B format:</b> A3, A4, A4-R, A5-R, B4, B5, B5-R, A6-R*5, FOLIO  <b>LT format:</b> LD, LG, LT, LT-R, ST-R, COMP, 13"LG, 8.5"SQ  <b>K format:</b> 8K, 16K, 16K-R  <b>Non-standard size *1, *8, *9:</b> Length: 100 - 297 mm (3.9" - 11.7"), Width: 148 - 432 mm (5.8" - 17")*10
	Thick	81 - 105 g/m <sup>2</sup> 21 - 28 lb. Bond	80 sheets	
	Thick 1	106 - 163 g/m <sup>2</sup> 29 lb. Bond - 90 lb Index	40 sheets	
	Thick 2 *4, *6	164 - 209 g/m <sup>2</sup> 91 - 110 lb. Index	30 sheets	
	Transparency *7	—	30 sheets	
	Envelope *3, *4	—	10 envelopes (11 mm in height or less)	
	Tab Paper *4	—	—	

\*1 When paper of a non-standard size is used, set the paper size by means of [Custom Paper].

\*2 When the upper receiving tray of the Saddle Stitch Finisher is used to allow envelopes to exit, be sure to remove them from the tray after 60 of them have been stacked.

\*3 Printing on the back side of an envelope is not possible.

\*4 Automatic duplex copying is not available.

\*5 Paper thicker than Thick 2 is available.

\*6 For making copies on the sticker labels, select "Thick 2" for the paper type. Only Toshiba-recommended sticker labels should be used.

\*7 Only Toshiba-recommended OHP film should be used. The use of any other film may cause a malfunction.

\*8 Paper will be skewed during printing if it is attempted using a size smaller than 140 mm (5.5") (L) x 210 mm (8.3") (W) and a thickness is thinner than Thick 1.

\*9 Depending on the size of the non-standard paper to be used, corner folding, wrinkling or tilted printing may occur.

\*10 For the Automatic duplexing unit, Length: 140 - 297 mm (5.5" - 11.7"), Width: 182 - 432 mm (7.2" - 17").

## ❑ Recommended paper for each media type

Media Type	Toshiba recommendations/Manufacturer	Weight
Plain	A/B format: TGIS Paper/Mondi LT format: TIDAL MP/Hammermill	80 g/m <sup>2</sup> , 20 lb. Bond
Thick	A/B format: Color Copy/Mondi LT format: Laser Print/Hammermill, Color Copy Paper/ Hammermill	90 g/m <sup>2</sup> , 24 lb. Bond
		100 g/m <sup>2</sup> , 28 lb. Bond
Thick 1	A/B format: Color Copy/Mondi LT format: Laser Print/Hammermill, Color Copy Paper/ Hammermill	120 g/m <sup>2</sup> , 32 lb. Bond
		160 g/m <sup>2</sup> , 60 lb. Cover
Thick 2	A/B format: Color Copy/mondi	200 g/m <sup>2</sup>
	A/B format: 3478/Zweckform-Avery <sup>*1</sup> LT format: 5165/Avery <sup>*1</sup>	—
Transparency <sup>*2, *3</sup>	A/B format: BG72/Folex	—
Envelope <sup>*4, *5</sup>	COM10: Laser/Inkjet Business Envelope Regular/Quality Park Monarch: Mailwell No. 553/Mailwell	—

\*1 Only Toshiba-recommended sticker labels should be used.

\*2 Automatic duplex copying is not available.

\*3 Only Toshiba-recommended OHP film should be used. The use of any other film may cause a malfunction.

\*4 Printing on the back side of an envelope is not possible.

\*5 Refer to "Notes for using envelopes" in the **Paper Preparation Guide**.

**■ e-STUDIO2515AC/3015AC/3515AC/4515AC/5015AC**

Feeder	Media Type	Weight	Maximum sheet capacity	Size
Drawers Paper Feed Pedestal Additional Drawer Module	Plain, Recycled Paper	60 - 80 g/m <sup>2</sup> 16 - 20 lb. Bond	600 sheets (64 g/m <sup>2</sup> ) (17 lb. Bond) 550 sheets (80 g/m <sup>2</sup> ) (20 lb. Bond)	<b>A/B format:</b> A3, A4, A4-R, A5-R, B4, B5, B5-R, FOLIO, 305 mm x 457 mm <sup>*1, *2</sup> , 320 mm x 450 mm <sup>*1, *3, *4, *5, *6, 9*</sup> , 320 mm x 460 mm <sup>*1, *3, *4, *5, *6, 9*</sup>  <b>LT format:</b> LD, LG, LT, LT-R, ST-R, COMP, 13"LG, 8.5"SQ, 12" x 18" <sup>*1, 9*</sup>  <b>K format:</b> 8K, 16K, 16K-R  <b>Non-standard size <sup>*7</sup>:</b> First drawer Length: 140 - 297 mm (5.5" - 11.7"), Width: 210 - 432 mm (8.3" - 17") Second - fourth drawer Copy: Length: 140 - 305 mm (5.5" - 12"), Width: 210 - 460 mm (8.3" - 18.1") Print: Length: 140 - 305 mm (5.5" - 12"), Width: 210 - 460 mm (8.3" - 18.1")
	Thick	81 - 105 g/m <sup>2</sup> 21 - 28 lb. Bond	500 sheets	
	Thick 1	106 - 163 g/m <sup>2</sup> 29 lb. Bond - 90 lb. Index	300 sheets	
	Thick 2	164 - 209 g/m <sup>2</sup> 91 - 110 lb. Index	250 sheets	
	Thick 3	- 256 g/m <sup>2</sup> - 140 lb. Index	200 sheets	
Large Capacity Feeder	Plain, Recycled Paper	64 - 80 g/m <sup>2</sup> 17 - 20 lbs	2360 sheets (64 g/m <sup>2</sup> ) (17 lb. Bond) 2000 sheets (80 g/m <sup>2</sup> ) (20 lb. Bond)	A4, LT
	Thick	81 - 105 g/m <sup>2</sup> 21 - 28 lb. Bond	1660 sheets 550 sheets (80 g/m <sup>2</sup> ) (20 lb. Bond)	
Envelope Drawer	Plain, Recycled Paper	60 - 80 g/m <sup>2</sup> 16 - 20 lb. Bond	600 sheets(64 g/m <sup>2</sup> ) (17 lb. Bond) 550 sheets (80 g/m <sup>2</sup> ) (20 lb. Bond)	<b>A/B format:</b> A4-R, B5-R, A5-R  <b>LT format:</b> LG, 13"LG, LT-R, ST-R  <b>K format:</b> 16K-R  <b>Envelope:</b> DL (110 mm x 220 mm), COM10 (4 1/8" x 9 1/2"), Monarch (3 7/8" x 7 1/2"), CHO-3 (120 mm x 235 mm), YOU-4 (105 mm x 235 mm), KAKU-2 (240 mm x 332 mm)
	Thick	81 - 105 g/m <sup>2</sup> 21 - 28 lb. Bond	550 sheets (80 g/m <sup>2</sup> ) (20 lb. Bond)	
	Thick 1	106 - 163 g/m <sup>2</sup> 29 lb. Bond - 90 lb. Index	300 sheets	
	Thick 2	164 - 209 g/m <sup>2</sup> 91 - 110 lb. Index	250 sheets	
	Thick 3	- 256 g/m <sup>2</sup> - 140 lb. Index	200 sheets	
	Envelope <sup>*8, *9, *10</sup>	—	60 sheets (50 mm in height or less)	

Feeder	Media Type	Weight	Maximum sheet capacity	Size	
Bypass tray	Thin <sup>*9, *11</sup>	52 - 59 g/m <sup>2</sup> 14 - 16 lb. Bond	1 sheet	<b>A/B format:</b> A3, A4, A4-R, A5-R, A6-R <sup>*12</sup> , B4, B5, B5-R, FOLIO, 305 mm x 457 mm <sup>*2, *13</sup> , 320 mm x 450 mm <sup>*3, *4, *5, *6, *9</sup> , 320 mm x 460 mm <sup>*3, *4, *5, *6, *9, *13</sup>  <b>LT format:</b> LD, LG, LT, LT-R, ST-R, COMP, 13"LG, 8.5"SQ, 12" x 18" <sup>*13</sup>  <b>K format:</b> 8K, 16K, 16K-R  <b>Non-standard size <sup>*7, *15, *16:</sup></b> Copy: Length: 100 - 305 mm (3.9" - 12"), Width: 148 - 460 mm (5.8" - 18.1") <sup>*19</sup> Print: Length: 100 - 305 mm (3.9" - 12"), Width: 148 - 1200 mm (5.8" - 47.24") <sup>*19</sup>	
	Plain, Recycled Paper	60 - 80 g/m <sup>2</sup> 16 - 20 lb. Bond	100 sheets		
	Thick	81 - 105 g/m <sup>2</sup> 21 - 28 lb. Bond	80 sheets		
	Thick 1	106 - 163 b/m <sup>2</sup> 29 lb. Bond - 90 lb. Index	40 sheets		
	Thick 2 <sup>*14</sup>	164 - 209 g/m <sup>2</sup> 91 - 110 lb. Index	30 sheets		
	Thick 3	- 256 g/m <sup>2</sup> - 140 lb. Index	30 sheets		
	Thick 4 <sup>*9, *17, *18</sup>	- 280 g/m <sup>2</sup> - 100 lb. Cover	30 sheets		
	Special 1 <sup>*20</sup> , Special 2 <sup>*20, *21</sup>	230 g/m <sup>2</sup>	30 sheets		
	Special 3 <sup>*22</sup>	106 - 163 g/m <sup>2</sup> 29 lb. Bond - 90 lb. Index	40 sheets		
	Transparency <sup>*9, *23</sup>	—	30 sheets		A3, A4, LD, LT
	Envelope <sup>*9, *10</sup>	—	10 envelopes (11 mm in height or less)		<b>Envelope:</b> DL (110 mm x 220 mm), COM10 (4 1/8" x 9 1/2"), Monarch (3 7/8" x 7 1/2"), CHO-3 (120 mm x 235 mm), YOU-4 (105 mm x 235 mm), KAKU-2 (240 mm x 332 mm)  <b>Non-standard size <sup>*7:</sup></b> Copy: Length: 100 - 305 mm (3.9" - 12"), Width: 148 - 460 mm (5.8" - 18.1") Print: Length: 100 - 305 mm (3.9" - 12"), Width: 148 - 1200 mm (5.8" - 47.24")
Tab Paper <sup>*9</sup>	—	—	A4, LT		

<sup>\*1</sup> The second drawer or the Paper Feed Pedestal and Additional Drawer Module is used for paper placement.

<sup>\*2</sup> If printing is performed with paper having a width of 305 mm (12"), the images approx. 4 mm (0.16") from each side of the paper may not be printed clearly (faint image).

<sup>\*3</sup> When the Finisher is installed, it is not possible to have the paper exit to the receiving tray of the equipment. Paper will exit to the upper receiving tray of the Finisher or the Saddle Stitch Unit.

<sup>\*4</sup> Black streaks may appear on the edge of the printouts.

<sup>\*5</sup> If printing is performed with paper having a width of 320 mm (12.6"), the images approx. 11.5 mm (0.45") from each side of the paper may not be printed clearly (faint image).

<sup>\*6</sup> When the Inner Finisher is installed, automatic duplex copying is not available.

<sup>\*7</sup> When paper of a non-standard size is used, set the paper size by means of [Custom Paper].

<sup>\*8</sup> When the upper receiving tray of the Finisher or the Saddle Stitch Finisher is used to allow envelopes to exit, be sure to remove them from the tray after 60 of them have been stacked.

<sup>\*9</sup> Automatic duplex copying is not available.

<sup>\*10</sup> Printing on the back side of an envelope is not possible.

- \*11 The upper receiving tray of the Finisher or the Saddle Stitch Unit are used for paper exiting.
- \*12 Paper thicker than Thick 2 is available.
- \*13 When the Inner Finisher is installed, the paper will exit to the receiving trays of the Finisher.
- \*14 When an attempt to print on the sticker labels is made, select "Thick 2" for the paper type. Only sticker labels whose label side is not cut can be used. Only one sticker label can be fed at one time. Automatic duplex copying is not available for sticker labels.
- \*15 Paper will be skewed during printing if it is attempted using a size smaller than 140 mm (5.5") (L) x 210 mm (8.3") (W) and a thickness is thinner than Thick 1.
- \*16 Depending on the size of the non-standard paper to be used, corner folding, wrinkling or tilted printing may occur.
- \*17 The upper receiving tray of the Finisher or the Saddle Stitch Finisher and the receiving tray of the equipment are used for paper exiting.
- \*18 When duplex copying is applied to Thick 4 paper, streaks may appear on the front side of the printouts. These streaks may appear clearly when a copied image is dark or when the density level of an entire image is even.
- \*19 For the Automatic duplexing unit, Length: 140 - 297 mm (5.5" - 11.7"), Width: 182 - 432 mm (7.2" - 17").
- \*20 Special 1 and Special 2 indicate waterproof paper.
- \*21 Duplex copying is available only when the waterproof paper supporting it is used.
- \*22 Special 3 indicates coated paper. For details, contact your service technicians or representative.
- \*23 Only Toshiba-recommended OHP film should be used. The use of any other film may cause a malfunction.

**❑ Paper only acceptable for printing functions**

Feeder	Media type	Weight	Maximum sheet capacity	Paper size
Bypass tray	Thick	90 - 105 g/m <sup>2</sup> 24 - 28 lb. Bond	1 sheet <sup>*1, *2</sup>	305 mm x 1200 mm (12" x 47.24")
	Thick 1	106 - 163 g/m <sup>2</sup> 29 lb. Bond - 90 lb. Index		
	Special 1 <sup>*3</sup>	230 g/m <sup>2</sup>		

- \*1 Place the sheets one by one on the bypass tray.
- \*2 When the Finisher is installed, the receiving tray of the equipment cannot be used for paper exiting. The upper receiving tray of the installed Finisher, the upper receiving tray of the installed Saddle Stitch Finisher or upper receiving tray of the installed Inner Finisher can be used for paper exiting.
- \*3 Only Toshiba-recommended waterproof paper should be used.

## ❑ Recommended paper for each media type

Media Type	Toshiba recommendations/Manufacturer	Weight
Plain	A/B format: TGIS Paper/mondi LT format: TIDAL MP / Hammermill	80 g/m <sup>2</sup> , 20 lb. Bond
Thick	A/B format: Color Copy/mondi LT format: Laser Print/Hammermill, Color Copy Paper/ Hammermill	90 g/m <sup>2</sup> , 24 lb. Bond
		100 g/m <sup>2</sup> , 28 lb. Bond
Thick 1	A/B format: Color Copy/mondi LT format: Laser Print/Hammermill, Color Copy Paper/ Hammermill	120 g/m <sup>2</sup> , 32 lb. Bond
		160 g/m <sup>2</sup> , 60 lb. Cover
Thick 2	A/B format: Color Copy/mondi	200 g/m <sup>2</sup>
	A/B format: 3478/ZWECK-AVERY * <sup>1</sup> LT format: 5165/AVERY * <sup>1</sup>	—
Thick 3	A/B format: Color Copy/mondi LT format: Color Copy Cover/Hammermill	220 g/m <sup>2</sup> , 80 lb. Cover
		250 g/m <sup>2</sup>
Thick 4	A/B format: Color Copy/mondi LT format: Color Copy Cover/Hammermill	280 g/m <sup>2</sup> , 100 lb. Cover
Special 1	A/B format: Water Proof Paper Duplex * <sup>2</sup> , * <sup>3</sup> , * <sup>4</sup> LT format: Weather Resistance Paper * <sup>2</sup> , * <sup>3</sup> , * <sup>4</sup>	230 g/m <sup>2</sup>
Special 2	AquaAce * <sup>3</sup>	230 g/m <sup>2</sup>
Transparency	A/B format: BG72/FOLEX	—
Envelope * <sup>5</sup> , * <sup>6</sup>	COM10: Laser/Inkjet Business Envelope Regular/Quality Park Monarch: Mailwell No.553/Mailwell	—

\*<sup>1</sup> Only Toshiba-recommended sticker labels should be used.

\*<sup>2</sup> Place the sheets one by one on the bypass tray.

\*<sup>3</sup> Remove the copied paper from the receiving tray sheet by sheet. Remove the copied paper from the tray of the Finisher whenever 10 sheets of paper have been stacked.

\*<sup>4</sup> This type of paper is available for automatic duplex copying (A4/LT or smaller sizes are recommended).

\*<sup>5</sup> Printing on the back side of an envelope is not possible.

\*<sup>6</sup> Refer to "Notes for using envelopes" in the **Paper Preparation Guide**.

## ■ e-STUDIO2018A/2518A/3018A/3518A/4518A/5018A

Feeder	Media Type	Weight	Maximum sheet capacity	Size
Drawer	Plain, Recycled Paper	60 - 80 g/m <sup>2</sup> 16 - 20 lb. Bond	600 sheets (64 g/m <sup>2</sup> ) (17 lb. Bond) 550 sheets (80 g/m <sup>2</sup> ) (20 lb. Bond)	<b>A/B format:</b> A3, A4, A4-R, A5-R, B4, B5, B5-R, FOLIO  <b>LT format:</b> LD, LG, LT, LT-R, ST-R, COMP, 13"LG, 8.5"SQ  <b>K format:</b> 8K, 16K, 16K-R  <b>Non-standard size *1:</b> Length: 140 - 297 mm (5.5" - 11.7"), Width: 210 - 432 mm (8.3" - 17")
	Thick	81 - 105 g/m <sup>2</sup> 21 - 28 lb. Bond	500 sheets	
	Thick 1	106 - 163 g/m <sup>2</sup> 29 lb. Bond - 90 lb. Index	300 sheets	
	Thick 2	164 - 209 g/m <sup>2</sup> 91 - 110 lb. Index	250 sheets	
	Thick 3	- 256 g/m <sup>2</sup> - 140 lb. Index	200 sheets	
Large Capacity Feeder (optional)	Plain, Recycled Paper	64 - 80 g/m <sup>2</sup> 17 - 20 lb. Bond	2360 sheets (64 g/m <sup>2</sup> ) (17 lb. Bond) 2000 sheets (75 g/m <sup>2</sup> ) (20 lb. Bond)	A4, LT
	Thick	81 - 105 g/m <sup>2</sup> 21 - 28 lb. Bond	1660 sheets	
Envelope Drawer	Plain, Recycled Paper	60 - 80 g/m <sup>2</sup> 16 - 20 lb. Bond	600 sheets (64 g/m <sup>2</sup> ) (17 lb. Bond) 550 sheets (80 g/m <sup>2</sup> ) (20 lb. Bond)	<b>A/B format:</b> A4-R, B5-R, A5-R  <b>LT format:</b> LG, 13"LG, LT-R, ST-R  <b>K format:</b> 16K-R  <b>Envelope:</b> DL (110 mm x 220 mm), COM10 (4 1/8" x 9 1/2"), Monarch (3 7/8" x 7 1/2"), CHO-3 (120 mm x 235 mm), YOU-4 (105 mm x 235 mm), KAKU-2 (240 mm x 332 mm)
	Thick	81 - 105 g/m <sup>2</sup> 21 - 28 lb. Bond	500 sheets	
	Thick 1	106 - 163 g/m <sup>2</sup> 29 lb. Bond - 90 lb. Index	300 sheets	
	Thick 2	164 - 209 g/m <sup>2</sup> 91 - 110 lb. Index	250 sheets	
	Thick 3	- 256 g/m <sup>2</sup> - 140 lb. Index	200 sheets	
	Envelope *2, *3, *4, *5	—	60 sheets (50 mm in height or less)	

Feeder	Media Type	Weight	Maximum sheet capacity	Size	
Bypass tray	Thin <sup>*3, *6</sup>	52 - 59 g/m <sup>2</sup> 14 - 16 lb. Bond	1 sheet	<b>A/B format:</b> A3, A4, A4-R, A5-R, B4, B5, B5-R, A6-R <sup>*7</sup> , FOLIO  <b>LT format:</b> LD, LG, LT, LT-R, ST-R, COMP, 13"LG, 8.5"SQ  <b>K format:</b> 8K, 16K, 16K-R  <b>Non-standard size <sup>*1, *9, *10:</sup></b> Length: 100 - 297 mm (3.9" - 11.7"), Width: 148 - 432 mm (5.8" - 17") <sup>*11</sup>	
	Plain, Recycled Paper	60 - 80 g/m <sup>2</sup> 16 - 20 lb. Bond	100 sheets (64 g/m <sup>2</sup> ) (17 lb. Bond) 100 sheets (80 g/m <sup>2</sup> ) (20 lb. Bond)		
	Thick <sup>*8</sup>	81 - 105 g/m <sup>2</sup> 21 - 28 lb. Bond	80 sheets		
	Thick 1 <sup>*3</sup>	106 - 163 g/m <sup>2</sup> 29 lb. Bond - 90 lb. Index	40 sheets		
	Thick 2 <sup>*3, *8</sup>	164 - 209 g/m <sup>2</sup> 91 - 110 lb. Index	30 sheets		
	Thick 3	- 256 g/m <sup>2</sup> - 140 lb. Index	30 sheets		
	Transparency <sup>*3</sup>	75 g/m <sup>2</sup>	1 sheet		A4, LT
	Envelope <sup>*3, *4, *5</sup>	—	10 envelopes (11 mm in height or less)		<b>Envelope:</b> DL (110 mm x 220 mm), COM10 (4 1/8" x 9 1/2"), Monarch (3 7/8" x 7 1/2"), CHO-3 (120 mm x 235 mm), YOU-4 (105 mm x 235 mm), KAKU-2 (240 mm x 332 mm)  <b>Non-standard size <sup>*1:</sup></b> Length: 100 - 297 mm (3.9" - 11.7"), Width: 148 - 432 mm (5.8" - 17")
Tab Paper <sup>*3</sup>	—	—	A4, LT		

\*1 When paper of a non-standard size is used, set the paper size by means of [Custom Paper].

\*2 When the upper receiving tray of the Finisher or the Saddle Stitch Finisher is used to allow envelopes to exit, be sure to remove them from the tray after 60 of them have been stacked.

\*3 Auto duplex copying is not available.

\*4 Printing on the back side of an envelope is not possible.

\*5 When the Inner Finisher is installed, the envelope exits to the receiving tray of the finisher.

\*6 When the Saddle Stitch Finisher is installed, the envelope exits to the exit tray of the equipment.

\*7 Paper thicker than Thick 2 is available.

\*8 For printing on the tracing paper, select "Thick" as the media type. Automatic duplex copying is not available.

\*9 Paper will be skewed during printing if it is attempted using a size smaller than 140 mm (5.5") (L) x 210 mm (8.3") (W) and a thickness is thinner than Thick 1.

\*10 Depending on the size of the non-standard paper to be used, corner folding, wrinkling or tilted printing may occur.

\*11 For the Automatic duplexing unit, Length: 140 - 297 mm (5.5" - 11.7"), Width: 182 - 432 mm (7.2" - 17").

\*12 When an attempt to print on the sticker labels is made, select "Thick 2" for the paper type. Only sticker labels whose label side is not cut can be Used. Only one sticker label can be fed at one time. Automatic duplex copying is not available for sticker labels.



## ☐ Recommended paper for each media type

Media Type	Toshiba recommendations/Manufacturer	Weight
Plain	A/B format: TGIS Paper/Mondi LT format: TIDAL/Hammermill	80 g/m <sup>2</sup> , 20 lb. Bond
Thick	A/B format: Color Copy/Mondi LT format: Laser/Hammermill	90 g/m <sup>2</sup> , 24 lb. Bond
	Tracing Paper/Ostrich International <sup>*1</sup>	—
Thick 1	A/B format: Color Copy/Mondi LT format: Laser/Hammermill	120 g/m <sup>2</sup> , 32 lb. Bond
	A/B format: Color Copy/Mondi LT format: Exact Index/WAUSAU	160 g/m <sup>2</sup> , 90 lb. Index
Thick 2	A/B format: Color Copy/Mondi LT format: Exact Index/WAUSAU	200 g/m <sup>2</sup> , 110 lb. Index
	A/B format: 3478/ZWECH-AVERY <sup>*1, *2</sup> LT format: 5165/AVERY <sup>*1, *2</sup>	—
Thick 3	A/B format: Color Copy /Mondi LT format: Color Copy Cover /Hammermill	220 g/m <sup>2</sup> , 80 lb. Cover 250 g/m <sup>2</sup>
Transparency <sup>*1, *3</sup>	A/B format: PP2500/3M LT format: PP2500L/3M, X-10.0/Folex	—
Envelope <sup>*4, *5</sup>	COM10: Envelope, Imprinted, No Window/DELUXE Monarch: Mailwell No. 553/Mailwell	—

<sup>\*1</sup> Automatic duplex copying is not available.

<sup>\*2</sup> Only Toshiba-recommended sticker labels should be used.

<sup>\*3</sup> Only Toshiba-recommended OHP film should be used. Using any other film may cause a malfunction.


<sup>\*4</sup> Printing on the back side of an envelope is not possible.

<sup>\*5</sup> Refer to “Notes for using envelopes” in the **Paper Preparation Guide**.



## SPECIFICATIONS OF EQUIPMENT

<b>e-STUDIO2010AC/2510AC</b> .....	<b>20</b>
Continuous copy speed .....	22
<b>e-STUDIO2515AC/3015AC/3515AC/4515AC/5015AC</b> .....	<b>23</b>
Continuous copy speed .....	25
<b>e-STUDIO2018A/2518A/3018A/3518A/4518A/5018A</b> .....	<b>30</b>
Continuous copy speed .....	31
<b>List of Internal Fonts</b> .....	<b>35</b>
Internal PCL fonts list.....	35
Internal PS fonts list.....	36
<b>Template</b> .....	<b>38</b>

<b>Model name</b>		FC-2010AC/2510AC
<b>Type</b>		Desktop type
<b>Original glass</b>		Fixed
<b>Printing (copying) system</b>		Indirect electrophotographic method
<b>Developing system</b>		2-component magnetic brush developing
<b>Fixing method</b>		Halogen lamp roller fusing
<b>Photosensor type</b>		OPC
<b>Original scanning system</b>		Flat surface scanning system (When the RADF is installed: Fixed scanning system by feeding the original)
<b>Original scanning sensor</b>		Linear CCD sensor
<b>Scanning light source</b>		LED
<b>Resolution</b>	<b>Scanning</b>	600 dpi x 600 dpi
	<b>Writing</b>	<b>Copy</b> Black-and-white: 600 dpi x 600 dpi 5 bits, 2400 dpi (Equivalence) x 600 dpi (Smoothing process) Color: 600 dpi x 600 dpi 5 bits  <b>Print</b> Black-and-white/Color: 600 dpi x 600 dpi 5 bits, 600 dpi x 1200 dpi 1 bit (PostScript)
<b>Acceptable originals</b>		Sheets, books and 3-dimensional objects
<b>Acceptable original size</b>		Max. A3 or LD
<b>Acceptable copy paper size</b>	<b>Drawer</b>	A3, A4, A4-R, A5-R, B4, B5, B5-R, FOLIO, LD, LG, LT, LT-R, ST-R, COMP, 13"LG, 8.5"SQ, 8K, 16K, 16K-R, Non-standard size (Length: 140 - 297 mm (5.5" - 11.7")), Width: 210 - 432 mm (8.3" - 17"))
	<b>Bypass</b>	Paper size within 100 - 297 mm (3.94" - 11.69") (Length), 148 - 432 mm (5.83" - 17.01") (Width) (For the Automatic duplexing unit: 100 - 297 mm (3.94" - 11.69") (Length), 182 - 432 mm (7.2" - 17") (Width))
<b>Acceptable copy paper weight</b>	<b>Drawer</b>	60 - 163 g/m <sup>2</sup> (16 lb. Bond - 90 lb. Index)
	<b>Bypass</b>	Continuous paper feed / Single paper feed: 60 - 209 g/m <sup>2</sup> (16 lb. Bond - 110 lb. Index) For the Automatic duplexing unit: 60 - 163 g/m <sup>2</sup> (16 lb. Bond - 90 lb. Index)
<b>Warm-up time</b> *1		Approx. 21 seconds (Temperature 20 °C (68 °F))
<b>Recovery time (from the sleep mode)</b> *1		100/120 V: 15 seconds or less 230 V: 13.1 seconds or less
<b>First copy time (A4 or LT portrait)</b>	<b>Black-and-white</b>	7.1 seconds or less
	<b>Color</b>	9.5 seconds or less
<b>Continuous copy speed</b>		 P.22 "Continuous copy speed"
<b>Multiple copying</b>		Up to 999 sheets (digital key entry)

<b>Excluded image width</b>	<b>Black-and-white</b>	Leading edge: 4.2 mm (+ 2.8 mm, - 1.2 mm) (0.17" (+ 0.11", - 0.05")), Trailing edge: 3.0 mm ( $\pm$ 2.0 mm) (0.12" ( $\pm$ 0.08")), Both edges: 2.0 mm ( $\pm$ 2.0 mm) (0.08" ( $\pm$ 0.08"))
	<b>Color</b>	Leading edge: 5.0 mm ( $\pm$ 2.0 mm) (0.20" ( $\pm$ 0.08")), Trailing edge: 3.0 mm ( $\pm$ 2.0 mm) (0.12" ( $\pm$ 0.08")), Both edges: 2.0 mm ( $\pm$ 2.0 mm) (0.08" ( $\pm$ 0.08"))
	<b>Printer (Black-and-white/Color)</b>	Leading edge: 4.2 mm (+ 2.8 mm, - 1.2 mm) (0.17" (+ 0.11", - 0.05")), Trailing edge: 4.2 mm (+1.2 mm, - 2.8 mm) (0.17" (+ 0.05", - 0.11")), Both edges: 4.2 mm ( $\pm$ 2.0 mm) (0.17" ( $\pm$ 0.08"))
<b>Reproduction ratio</b>	<b>Actual size</b>	100 $\pm$ 0.5%
	<b>Zoom</b>	25 - 400% (in 1% increments)
		For the RADF 25 - 200% (in 1% increments)
<b>Paper supply</b>	<b>Drawer</b>	Approx. 250 sheets (80 g/m <sup>2</sup> , 20 lb. Bond)
	<b>Bypass</b>	Approx. 100 sheets (80 g/m <sup>2</sup> , 20 lb. Bond)
<b>Exit tray loading capacity</b>		Approx. 550 sheets (80 g/m <sup>2</sup> , 20 lb. Bond)
<b>Toner density adjustment</b>		Magnetic auto-toner system + Pixel count system
<b>Exposure control</b>		Automatic plus manual selection from 11 exposure step
<b>USB interface</b>		USB 2.0 (Hi-Speed)
<b>Environment (for normal use)</b>		Temperature: 10 - 30 °C (50 - 86 °F), Humidity: 20 - 85% (No Condensation)
<b>Power requirements and Power consumption (including optional equipments)</b>		AC 220-240 (Europe) V $\pm$ 10%, 9 A (50/60 Hz): 1.6 kW or less AC 220-240 (Other than Europe) V $\pm$ 10%, 8 A (50/60 Hz): 1.6 kW or less AC 120 V $\pm$ 10%, 12 A (50/60 Hz): 1.5 kW or less
<b>Dimensions (equipment only)</b>		575 mm (22.6") (W) x 586 mm (23.1") (D) x 662 mm (26") (H) (At 90 degrees of the control panel angle) 575 mm (22.6") (W) x 720 mm (28.3") (D) x 662 mm (26") (H) (At 7 degrees of the control panel angle)
<b>Weight</b>		e-STUDIO2010AC/2510AC: Approx. 57 kg (125.7 lb.) (equipment including developer and drum)
<b>Space occupied (equipment only)</b>		958 mm (37.7") (W) x 752 mm (29.6") (D) (At 7 degrees of the control panel angle)
<b>Storage capacity</b>		Max. 1000 sheets or until the memory is full (Toshiba's own chart)

\*1 This specification varies depending on the use conditions and the use environment.

- Specifications and appearance are subject to change without notice in the interest of product improvement.

## ■ Continuous copy speed

Copy speeds under the condition in which originals are placed on the original glass and single-side copies are made continuously with 100% reproduction ratio in the non-sort mode (unit: sheet/minute).

### □ e-STUDIO2010AC

Paper size	Feeder	Paper type					
		Plain/Recycled Paper/Thick		Thick 1		Thick 2	
		B&W	Color *1	B&W	Color *1	B&W	Color *1
A4, A5-R, B5, LT, ST-R, 8.5"SQ	Drawer	20	20	16.5	16.5	16.5	16.5
	Bypass tray	20	20	16.5	16.5	16.5	16.5
A4-R, B5-R, LT-R	Drawer	15	15	12.5	12.5	12.5	12.5
	Bypass tray	15	15	12.5	12.5	12.5	12.5
B4, FOLIO, LG, COMP, 13"LG	Drawer	12	12	10	10	10	10
	Bypass tray	12	12	10	10	10	10
A3, LD	Drawer	10	10	8	8	8	8
	Bypass tray	10	10	8	8	8	8

### □ e-STUDIO2510AC

Paper size	Feeder	Paper type					
		Plain/Recycled Paper/Thick		Thick 1		Thick 2	
		B&W	Color *1	B&W	Color *1	B&W	Color *1
A4, A5-R, B5, LT, ST-R, 8.5"SQ	Drawer	25	25	16.5	16.5	16.5	16.5
	Bypass tray	25	25	16.5	16.5	16.5	16.5
A4-R, B5-R, LT-R	Drawer	18	18	12.5	12.5	12.5	12.5
	Bypass tray	18	18	12.5	12.5	12.5	12.5
B4, FOLIO, LG, COMP, 13"LG	Drawer	15	15	10	10	10	10
	Bypass tray	15	15	10	10	10	10
A3, LD	Drawer	12	12	8	8	8	8
	Bypass tray	12	12	8	8	8	8

\*1 Full Color, Twin Color, Mono Color, Image Smoothing

- The bypass copying speed when the paper size is specified is as listed above.
- TOSHIBA-recommended paper is used for the values of the specifications above.
- These specifications vary depending on the copying conditions and the environment.

<b>Model name</b>		FC-2515AC/FC-3015AC/FC-3515AC/FC-4515AC/FC-5015AC
<b>Type</b>		Desktop type
<b>Original glass</b>		Fixed
<b>Printing (copying) system</b>		Indirect electrophotographic method
<b>Developing system</b>		2-component magnetic brush developing
<b>Fixing method</b>		External IH belt fusing
<b>Photosensor type</b>		OPC
<b>Original scanning system</b>		Flat surface scanning system (When the RADF is installed: Fixed scanning system by feeding the original When the DSDF is installed: Coinstantaneous 2-sided (the front and back sides) scanning system)
<b>Original scanning sensor</b>		Linear CCD sensor
<b>Scanning light source</b>		LED
<b>Resolution</b>	<b>Scanning</b>	600 dpi x 600 dpi
	<b>Writing</b>	<b>Copy</b> Black-and-white: 600 dpi x 600 dpi 5 bits, 2400 dpi (Equivalence) x 600 dpi (Smoothing process) Color: 600 dpi x 600 dpi 5 bits  <b>Print</b> Black-and-white/Color: 600 dpi x 600 dpi 5 bits, 1200 dpi x 1200 dpi 2 bits (3600 dpi (Equivalence) x 1200 dpi) (PostScript)
<b>Acceptable originals</b>		Sheets, books and 3-dimensional objects
<b>Acceptable original size</b>		Max. A3 or LD
<b>Acceptable copy paper size</b>	<b>Drawer</b>	A3, A4, A4-R, A5-R, B4, B5, B5-R, FOLIO, 305 mm x 457 mm, 320 mm x 450 mm, 320 mm x 460 mm, LD, LG, LT, LT-R, ST-R, COMP, 13"LG, 8.5"SQ, 12" x 18", 8K, 16K, 16K-R, Non-standard size (First drawer Length: 140 - 297 mm (5.5" - 11.7"), Width: 210 - 432 mm (8.3" - 17") ,Second - fourth drawer Copy Length: 140 - 305 mm (5.5" - 12"), Width: 210 - 460 mm (8.3" - 18.1") ,Print Length: 140 - 305 mm (5.5" - 12"), Width: 210 - 460 mm (8.3" - 18.1"))
	<b>Bypass</b>	Paper size within 100 - 305 mm (3.94" - 12") (Length), 148 - 460 mm (5.83" - 18.11") (Width) (For printing functions, within 148 - 1200 mm (5.83" - 47.24") (Width) *1) (For the Automatic duplexing unit: 140 - 297 mm (5.51" - 11.69") (Length), 182 - 432 mm (7.2" - 17") (Width))
<b>Acceptable copy paper weight</b>	<b>Drawer</b>	60 - 256 g/m <sup>2</sup> (16 lb. Bond - 80 lb. Cover (140 lb. Index))
	<b>Bypass</b>	Single paper feed: 52 - 280 g/m <sup>2</sup> (14 lb. Bond - 100 lb. Cover (150 lb. Index)) Continuous paper feed: 60 - 280 g/m <sup>2</sup> (16 lb. Bond - 100 lb. Cover (150 lb. Index)) For the Automatic duplexing unit: 60 - 256 g/m <sup>2</sup> (16 lb. Bond - 80 lb. Cover (140 lb. Index))
<b>Warm-up time</b> *2		Approx. 20 seconds (Temperature 20 °C (68 °F))
<b>Recovery time (from the sleep mode)</b> *2		12 seconds or less
<b>First copy time (A4 or LT portrait)</b>	<b>Black-and-white</b>	e-STUDIO2515AC/3015AC/3515AC: 5.9 seconds or less e-STUDIO4515AC/5015AC: 4.4 seconds or less
	<b>Color</b> *2	e-STUDIO2515AC/3015AC/3515AC: 7.8 seconds or less e-STUDIO4515AC/5015AC: 5.7 seconds or less

<b>Continuous copy speed</b>	📖 P.25 “Continuous copy speed”	
<b>Multiple copying</b>	Up to 999 sheets (digital key entry)	
<b>Excluded image width</b> *3	<b>Black-and-white</b>	Leading edge: 4.2 mm (+ 2.8 mm, - 1.2 mm) (0.17" (+ 0.11", - 0.05")), Trailing edge: 3.0 mm (± 2.0 mm) (0.12" (± 0.08")), Both edges: 2.0 mm (± 2.0 mm) (0.08" (± 0.08"))
	<b>Color</b>	Leading edge: 5.0 mm (± 2.0 mm) (0.20" (± 0.08")), Trailing edge: 3.0 mm (± 2.0 mm) (0.12" (± 0.08")), Both edges: 2.0 mm (± 2.0 mm) (0.08" (± 0.08"))
	<b>Printer (Black-and-white/Color)</b>	Leading edge: 4.2 mm (+ 2.8 mm, - 1.2 mm) (0.17" (+ 0.11", - 0.05")), Trailing edge: 4.2 mm (+1.2 mm, - 2.8 mm) (0.17" (+ 0.05", - 0.11")), Both edges: 4.2 mm (± 2.0 mm) (0.17" (± 0.08"))
<b>Reproduction ratio</b>	<b>Actual size</b>	100±0.5%
	<b>Zoom</b>	25 - 400% (in 1% increments) For the RADF 25 - 200% (in 1% increments) For the DSDf 25 - 200% (in 1% increments)
<b>Paper supply</b>	<b>Drawer</b>	Approx. 550 sheets (80 g/m <sup>2</sup> , 20 lb. Bond)
	<b>Bypass</b>	Approx. 100 sheets (80 g/m <sup>2</sup> , 20 lb. Bond)
<b>Exit tray loading capacity</b>	Approx. 400 sheets (80 g/m <sup>2</sup> , 20 lb. Bond)	
<b>Toner density adjustment</b>	Magnetic auto-toner system + Pixel count system	
<b>Exposure control</b>	Automatic plus manual selection from 11 exposure step	
<b>USB interface</b>	USB 2.0 (Hi-Speed)	
<b>Environment (for normal use)</b>	Temperature: 10 - 30 °C (50 - 86 °F), Humidity: 20 - 85% (No Condensation)	
<b>Power requirements and Power consumption (including optional equipments)</b>	AC 220-240 V±10%, 8 A (50/60 Hz): 2.0 kW or less AC 120 V±10%, 12 A (50/60 Hz): 1.5 kW or less	
<b>Dimensions (equipment only)</b>	585 mm (23") (W) x 641 mm (25.2") (D) x 787 mm (31") (H) (At 90 degrees of the control panel angle) 585 mm (23") (W) x 775 mm (30.5") (D) x 787 mm (31") (H) (At 7 degrees of the control panel angle)	
<b>Weight</b>	Approx. less than 78.1 kg (172.2 lb.) (equipment including developer and drum)	
<b>Space occupied (equipment only)</b>	968 mm (38.1") (W) x 822 mm (32.4") (D) (At 7 degrees of the control panel angle)	
<b>Storage capacity</b>	Max. 1000 sheets or until the memory is full (Toshiba's own chart)	

\*1 Sheets of paper longer than 433 mm (17.05") are printed in 300 dpi resolution.

\*2 This specification varies depending on the use conditions and the use environment.

\*3 When the paper size is A3/LD or smaller.

- Specifications and appearance are subject to change without notice in the interest of product improvement.



## ■ Continuous copy speed

Copy speeds under the condition in which originals are placed on the original glass and single-side copies are made continuously with 100% reproduction ratio in the non-sort mode (unit: sheet/minute).

### □ e-STUDIO2515AC

Paper size	Feeder	Paper type									
		Plain/ Recycled Paper/Thick		Thick 1		Thick 2		Thick 3		Thick 4	
		B&W	Color *1	B&W	Color *1	B&W	Color *1	B&W	Color *1	B&W	Color *1
A4, A5-R, B5, LT, ST-R, 8.5"SQ	Drawer	25	25	17.5	17.5	17.5	17.5	17.5	17.5	—	—
	Bypass tray	25	25	17.5	17.5	17.5	17.5	17.5	17.5	17.5	17.5
A6-R	Bypass tray	25	25	—	—	—	—	—	—	—	—
A4-R, B5-R, LT-R	Drawer	20	20	12.5	12.5	12.5	12.5	12.5	12.5	—	—
	Bypass tray	20	20	12.5	12.5	12.5	12.5	12.5	12.5	12.5	12.5
B4, FOLIO, LG, COMP, 13"LG	Drawer	17	17	10	10	10	10	10	10	—	—
	Bypass tray	17	17	10	10	10	10	10	10	10	10
A3, LD	Drawer	15	15	8.5	8.5	8.5	8.5	8.5	8.5	—	—
	Bypass tray	15	15	8.5	8.5	8.5	8.5	8.5	8.5	8.5	8.5
305 mm x 457 mm, 320 mm x 450 mm	Drawer *2	—	—	8	8	8	8	8	8	8	8
	Bypass tray	14	14	8	8	8	8	8	8	8	8

**□ e-STUDIO3015AC**

Paper size	Feeder	Paper type									
		Plain/ Recycled Paper/Thick		Thick 1		Thick 2		Thick 3		Thick 4	
		B&W	Color *1	B&W	Color *1	B&W	Color *1	B&W	Color *1	B&W	Color *1
A4, A5-R, B5, LT, ST-R, 8.5"SQ	Drawer	30	30	17.5	17.5	17.5	17.5	17.5	17.5	17.5	17.5
	Bypass tray	30	30	17.5	17.5	17.5	17.5	17.5	17.5	17.5	17.5
A6-R	Bypass tray	30	30	—	—	—	—	—	—	—	—
A4-R, B5-R, LT-R	Drawer	23	23	12.5	12.5	12.5	12.5	12.5	12.5	12.5	12.5
	Bypass tray	23	23	12.5	12.5	12.5	12.5	12.5	12.5	12.5	12.5
B4, FOLIO, LG, COMP, 13"LG	Drawer	19	19	10	10	10	10	10	10	10	10
	Bypass tray	19	19	10	10	10	10	10	10	10	10
A3, LD	Drawer	16	16	8.5	8.5	8.5	8.5	8.5	8.5	8.5	8.5
	Bypass tray	16	16	8.5	8.5	8.5	8.5	8.5	8.5	8.5	8.5
305 mm x 457 mm, 320 mm x 450 mm	Drawer *2	—	—	8	8	8	8	8	8	8	8
	Bypass tray	15	15	8	8	8	8	8	8	8	8

□ e-STUDIO3515AC

Paper size	Feeder	Paper type									
		Plain/ Recycled Paper/Thick		Thick 1		Thick 2		Thick 3		Thick 4	
		B&W	Color *1	B&W	Color *1	B&W	Color *1	B&W	Color *1	B&W	Color *1
A4, A5-R, B5, LT, ST-R, 8.5"SQ	Drawer	35	35	17.5	17.5	17.5	17.5	17.5	17.5	17.5	17.5
	Bypass tray	35	35	17.5	17.5	17.5	17.5	17.5	17.5	17.5	17.5
A6-R	Bypass tray	35	35	—	—	—	—	—	—	—	—
A4-R, B5-R, LT-R	Drawer	25	25	12.5	12.5	12.5	12.5	12.5	12.5	12.5	12.5
	Bypass tray	25	25	12.5	12.5	12.5	12.5	12.5	12.5	12.5	12.5
B4, FOLIO, LG, COMP, 13"LG	Drawer	21	21	10	10	10	10	10	10	10	10
	Bypass tray	21	21	10	10	10	10	10	10	10	10
A3, LD	Drawer	18	18	8.5	8.5	8.5	8.5	8.5	8.5	8.5	8.5
	Bypass tray	18	18	8.5	8.5	8.5	8.5	8.5	8.5	8.5	8.5
305 mm x 457 mm, 320 mm x 450 mm	Drawer *2	—	—	8	8	8	8	8	8	8	8
	Bypass tray	17	17	8	8	8	8	8	8	8	8

**□ e-STUDIO4515AC**

Paper size	Feeder	Paper type									
		Plain/ Recycled Paper/Thick		Thick 1		Thick 2		Thick 3		Thick 4	
		B&W	Color *1	B&W	Color *1	B&W	Color *1	B&W	Color *1	B&W	Color *1
A4, A5-R, B5, LT, ST-R, 8.5"SQ	Drawer	45	45	17.5	17.5	17.5	17.5	17.5	17.5	17.5	17.5
	Bypass tray	45	45	17.5	17.5	17.5	17.5	17.5	17.5	17.5	17.5
A6-R	Bypass tray	13	13	—	—	—	—	—	—	—	—
A4-R, B5-R, LT-R	Drawer	32	32	12.5	12.5	12.5	12.5	12.5	12.5	12.5	12.5
	Bypass tray	32	32	12.5	12.5	12.5	12.5	12.5	12.5	12.5	12.5
B4, FOLIO, LG, COMP, 13"LG	Drawer	26	26	10	10	10	10	10	10	10	10
	Bypass tray	26	26	10	10	10	10	10	10	10	10
A3, LD	Drawer	22	22	8.5	8.5	8.5	8.5	8.5	8.5	8.5	8.5
	Bypass tray	22	22	8.5	8.5	8.5	8.5	8.5	8.5	8.5	8.5
305 mm x 457 mm, 320 mm x 450 mm	Drawer *2	—	—	8	8	8	8	8	8	8	8
	Bypass tray	22	22	8	8	8	8	8	8	8	8

□ e-STUDIO5015AC


Paper size	Feeder	Paper type									
		Plain/ Recycled Paper/Thick		Thick 1		Thick 2		Thick 3		Thick 4	
		B&W	Color *1	B&W	Color *1	B&W	Color *1	B&W	Color *1	B&W	Color *1
A4, A5-R, B5, LT, ST-R, 8.5"SQ	Drawer	50	50	17.5	17.5	17.5	17.5	17.5	17.5	17.5	17.5
	Bypass tray	50	50	17.5	17.5	17.5	17.5	17.5	17.5	17.5	17.5
A6-R	Bypass tray	13	13	—	—	—	—	—	—	—	—
A4-R, B5-R, LT-R	Drawer	36	36	12.5	12.5	12.5	12.5	12.5	12.5	12.5	12.5
	Bypass tray	36	36	12.5	12.5	12.5	12.5	12.5	12.5	12.5	12.5
B4, FOLIO, LG, COMP, 13"LG	Drawer	29	29	10	10	10	10	10	10	10	10
	Bypass tray	29	29	10	10	10	10	10	10	10	10
A3, LD	Drawer	25	25	8.5	8.5	8.5	8.5	8.5	8.5	8.5	8.5
	Bypass tray	25	25	8.5	8.5	8.5	8.5	8.5	8.5	8.5	8.5
305 mm x 457 mm, 320 mm x 450 mm	Drawer *2	—	—	8	8	8	8	8	8	8	8
	Bypass tray	24	24	8	8	8	8	8	8	8	8

\*1 Full Color, Twin Color, Mono Color, Image Smoothing

\*2 2nd drawer only

- The bypass copying speed when the paper size is specified is as listed above.
- TOSHIBA-recommended paper is used for the values of the specifications above.
- These specifications vary depending on the copying conditions and the environment.

## e-STUDIO2018A/2518A/3018A/3518A/4518A/5018A

<b>Model name</b>		DP-2018A/2518A/3018A/3518A/4518A/5018A
<b>Type</b>		Desktop type
<b>Original glass</b>		Fixed
<b>Printing (copying) system</b>		Indirect electrophotographic method
<b>Developing system</b>		2-component magnetic brush developing
<b>Fixing method</b>		e-STUDIO2018A/2518A/3018A: Halogen lamp roller fusing (2 pieces) e-STUDIO3518A/4518A/5018A: Halogen lamp roller fusing (3 pieces)
<b>Photosensor type</b>		OPC
<b>Original scanning system</b>		Flat surface scanning system (When the RADF is installed: Fixed scanning system by feeding the original When the DSDF is installed: Coinstantaneous 2-sided (the front and back sides) scanning system)
<b>Original scanning sensor</b>		Linear CCD sensor
<b>Scanning light source</b>		LED
<b>Resolution</b>	<b>Scanning</b>	600 dpi x 600 dpi
	<b>Writing</b>	<b>Copy</b> 2400 dpi (Equivalence) x 600 dpi (Smoothing process)  <b>Print</b> 600 dpi x 600 dpi 1 bit, 2400 dpi (Equivalence) x 600 dpi (Smoothing process), 1200 dpi x 1200 dpi 2 bits (3600 dpi (Equivalence) x 1200 dpi) (PostScript)
<b>Acceptable originals</b>		Sheets, books and 3-dimensional objects
<b>Acceptable original size</b>		Max. A3 or LD
<b>Acceptable copy paper size</b>	<b>Drawer</b>	A3, A4, A4-R, A5-R, B4, B5, B5-R, FOLIO, LD, LG, LT, LT-R, ST-R, COMP, 13"LG, 8.5"SQ, 8K, 16K, 16K-R, Non-standard size (Length: 140 - 297 mm (5.5" - 11.7")), Width: 210 - 432 mm (8.3" - 17"))
	<b>Bypass</b>	Paper size within 100 - 297 mm (3.94" - 11.69") (Length), 148 - 432 mm (5.83" - 17.01") (Width) (For the Automatic duplexing unit: 100 - 297 mm (3.94" - 11.69") (Length), 182 - 432 mm (7.2" - 17") (Width))
<b>Acceptable copy paper weight</b>	<b>Drawer</b>	60 - 256 g/m <sup>2</sup> (16 lb. Bond - 140 lb. Index)
	<b>Bypass</b>	Single paper feed: 52 - 256 g/m <sup>2</sup> (14 lb. Bond - 140 lb. Index) Continuous paper feed: 60 - 256 g/m <sup>2</sup> (16 lb. Bond - 140 lb. Index) For the Automatic duplexing unit: 60 - 256 g/m <sup>2</sup> (16 lb. Bond - 140 lb. Index)
<b>Warm-up time</b> *1		Approx. 20 seconds (Temperature 20 °C (68 °F))
<b>Recovery time (from the sleep mode)</b> *1		e-STUDIO2018A/2518A/3018A: 14 seconds or less e-STUDIO3518A/4518A/5018A: 16 seconds or less
<b>First copy time (A4 or LT portrait)</b>		e-STUDIO2018A/2518A/3018A: 4.3 seconds or less e-STUDIO3518A/4518A/5018A: 3.6 seconds or less
<b>Continuous copy speed</b>		 P.31 "Continuous copy speed"
<b>Multiple copying</b>		Up to 999 sheets (digital key entry)
<b>Excluded image width</b>	<b>Copy</b>	Leading edge: 3.0 mm (+ 2.0 mm, - 1.0 mm) (0.12" (+ 0.08", - 0.04")), Trailing edge: 2.0 mm (± 2.0 mm) (0.08" (± 0.08")), Both edge: 2.0 mm (± 2.0 mm) (0.08" (± 0.08"))
	<b>Printer</b>	Leading edge: 4.2 mm (± 2.0 mm) (0.17" (± 0.08")), Trailing edge: 4.2 mm (± 2.0 mm) (0.17" (± 0.08")), Both edge: 4.2 mm (± 2.0 mm) (0.17" (± 0.08"))

<b>Reproduction ratio</b>	<b>Actual size</b>	100 ± 0.5%
	<b>Zoom</b>	25 - 400% (in 1% increments)
		For the RADF: 25 - 200% (in 1% increments) For the DSDF: 25 - 200% (in 1% increments)
<b>Paper supply</b>	<b>Drawer</b>	Approx. 550 sheets (80 g/m <sup>2</sup> , 20 lb. Bond)
	<b>Bypass</b>	Approx. 100 sheets (80 g/m <sup>2</sup> , 20 lb. Bond)
<b>Exit tray loading capacity</b>		Approx. 500 sheets (80 g/m <sup>2</sup> , 20 lb. Bond)
<b>Toner density adjustment</b>		Magnetic auto-toner system
<b>Exposure control</b>		Automatic plus manual selection from 11 exposure step
<b>USB interface</b>		USB 2.0 (Hi-Speed)
<b>Environment (for normal use)</b>		Temperature: 10 - 30 °C (50 - 86 °F), Humidity: 20 - 85% (No Condensation)
<b>Power requirements and Power consumption (including optional equipments)</b>		AC 220-240 V±10%, 8 A (50/60 Hz): 2.0 kW or less AC 120 V±10%, 12 A (50/60 Hz): 1.5 kW or less
<b>Dimensions (equipment only)</b>		585 mm (23") (W) x 586 mm (23") (D) x 787 mm (31") (H) (At 90 degrees of the control panel angle)
<b>Weight</b>		e-STUDIO2018A/2518A/3018A: Approx. 55 kg (121.3 lb.) e-STUDIO3518A/4518A/5018A: Approx. 57 kg (125.7 lb.) (equipment including developer and drum)
<b>Space occupied (equipment only)</b>		948 mm (37") (W) x 585 mm (23") (D)
<b>Storage capacity</b>		Max. 1000 sheets or until the memory is full (Toshiba's own chart)

\*1 This specification varies depending on the use conditions and the use environment.

- Specifications and appearance are subject to change without notice in the interest of product improvement.

## ■ Continuous copy speed

Copy speeds under the condition in which originals are placed on the original glass and single-side copies are made continuously with 100% reproduction ratio in the non-sort mode (unit: sheet/minute).

### □ e-STUDIO2018A

Paper size	Feeder	Paper type				
		Plain/ Recycled Paper	Thick	Thick 1	Thick 2	Thick 3
		B&W	B&W	B&W	B&W	B&W
A4, A5-R, B5, LT, ST-R, 8.5"SQ	Drawer	20	20	20	20	20
	Bypass tray	20	20	20	20	20
A4-R, B5-R, LT-R	Drawer	16.9	16.9	16	16	16
	Bypass tray	16.9	16.9	16	16	16
B4, FOLIO, LG, COMP, 13"LG	Drawer	14.8	14.8	14	14	14
	Bypass tray	14.8	14.8	14	14	14
A3, LD	Drawer	13.2	13.2	12	12	12
	Bypass tray	13.2	13.2	12	12	12

**❑ e-STUDIO2518A**

Paper size	Feeder	Paper type				
		Plain/ Recycled Paper	Thick	Thick 1	Thick 2	Thick 3
		B&W	B&W	B&W	B&W	B&W
A4, A5-R, B5, LT, ST-R, 8.5"SQ	Drawer	25	25	25	25	24
	Bypass tray	25	25	25	25	24
A4-R, B5-R, LT-R	Drawer	23.3	22.5	22.5	20	17
	Bypass tray	23.3	22.5	22.5	20	17
B4, FOLIO, LG, COMP, 13"LG	Drawer	19.5	19	18	16	14
	Bypass tray	19.5	19	18	16	14
A3, LD	Drawer	16.8	16.4	16	14	12
	Bypass tray	16.8	16.4	16	14	12

**❑ e-STUDIO3018A**

Paper size	Feeder	Paper type				
		Plain/ Recycled Paper	Thick	Thick 1	Thick 2	Thick 3
		B&W	B&W	B&W	B&W	B&W
A4, A5-R, B5, LT, ST-R, 8.5"SQ	Drawer	30	29	29	28	24
	Bypass tray	30	29	29	28	24
A4-R, B5-R, LT-R	Drawer	23.3	22.5	22.5	20	17
	Bypass tray	23.3	22.5	22.5	20	17
B4, FOLIO, LG, COMP, 13"LG	Drawer	19.5	19	18	16	14
	Bypass tray	19.5	19	18	16	14
A3, LD	Drawer	16.8	16.4	16	14	12
	Bypass tray	16.8	16.4	16	14	12



**□ e-STUDIO3518A**

Paper size	Feeder	Paper type				
		Plain/ Recycled Paper	Thick	Thick 1	Thick 2	Thick 3
		B&W	B&W	B&W	B&W	B&W
A4, A5-R, B5, LT, ST-R, 8.5"SQ	Drawer	35	35	35	32	24
	Bypass tray	35	35	35	32	24
A4-R, B5-R, LT-R	Drawer	35	33.9	29	23	17
	Bypass tray	35	33.9	29	23	17
B4, FOLIO, LG, COMP, 13"LG	Drawer	29.5	28.7	23	18	14
	Bypass tray	29.5	28.7	23	18	14
A3, LD	Drawer	25.4	24.8	20	16	12
	Bypass tray	25.4	24.8	20	16	12

**□ e-STUDIO4518A**

Paper size	Feeder	Paper type				
		Plain/ Recycled Paper	Thick	Thick 1	Thick 2	Thick 3
		B&W	B&W	B&W	B&W	B&W
A4, A5-R, B5, LT, ST-R, 8.5"SQ	Drawer	45	43.4	40	32	24
	Bypass tray	45	43.4	40	32	24
A4-R, B5-R, LT-R	Drawer	35	33.9	29	23	17
	Bypass tray	35	33.9	29	23	17
B4, FOLIO, LG, COMP, 13"LG	Drawer	29.5	28.7	23	18	14
	Bypass tray	29.5	28.7	23	18	14
A3, LD	Drawer	25.4	24.8	20	16	12
	Bypass tray	25.4	24.8	20	16	12

**□ e-STUDIO5018A**

Paper size	Feeder	Paper type				
		Plain/ Recycled Paper	Thick	Thick 1	Thick 2	Thick 3
		B&W	B&W	B&W	B&W	B&W
A4, B5, LT, A5-R, ST-R, 8.5"SQ	Drawer	50	43.4	40	32	24
	Bypass tray	50	43.4	40	32	24
A6-R	Bypass tray	30	—	—	—	—
A4-R, B5-R, LT-R	Drawer	35	33.9	29	23	17
	Bypass tray	35	33.9	29	23	17
B4, FOLIO, LG, COMP, 13"LG	Drawer	29.5	28.7	23	18	14
	Bypass tray	29.5	28.7	23	18	14
A3, LD	Drawer	25.4	24.8	20	16	12
	Bypass tray	25.4	24.8	20	16	12

- The bypass copying speed when the paper size is specified is as listed above.
- TOSHIBA-recommended paper is used for the values of the specifications above.
- These specifications vary depending on the copying conditions and the environment.

## List of Internal Fonts

The following fonts are included in this equipment.

### Internal PCL fonts list

Nimbus Mono E Regular	Nimbus Sans Bold Italic
Nimbus Roman No4 Regular	Nimbus Sans Narrow
Nimbus Roman No4 Bold	Nimbus Sans Narrow Bold
Nimbus Roman No4 Italic	Nimbus Sans Narrow Oblique
Nimbus Roman No4 Bold Italic	Nimbus Sans Narrow Bold Oblique
URW Classico Regular	URW Palladio Roman
URW Classico Bold	URW Palladio Bold
URW Classico Italic	URW Palladio Italic
URW Classico Bold Italic	URW Palladio Bold Italic
URW Corsica Regular	URW Gothic Book
URW Clarendon Condensed Bold	URW Gothic Book Oblique
URW Classic Sans Regular	URW Gothic Demi
URW Classic Sans Bold	URW Gothic Demi Oblique
URW Classic Sans Regular Italic	URW Bookman Light
URW Classic Sans Bold Italic	URW Bookman Light Italic
URW Classic Sans Cond Regular	URW Bookman Demi
URW Classic Sans Cond Bold	URW Bookman Demi Italic
URW Classic Sans Cond Italic	URW Century Roman
URW Classic Sans Cond Bold Italic	URW Century Bold
Antique Olive regular	URW Century Italic
Antique Olive Bold	URW Century Bold Italic
Antique Olive Italic	Nimbus Roman Regular
Garamond Antiqua normal	Nimbus Roman Bold
Garamond Halbfett	Nimbus Roman Italic
Garamond Kursiv	Nimbus Roman Bold Italic
Garamond Kursiv Halbfett	URW Chancery Medium Italic
Mauritius Regular	Symbols
Algiers Medium	Standard Symbol PS
Algiers Extra Bold	URWDings
Nimbus Sans No2 Regular	URW Dingbats
Nimbus Sans No2 Bold	Nimbus Mono E Bold
Nimbus Sans No2 Italic	Nimbus Mono E Italic
Nimbus Sans No2 Bold Italic	Nimbus Mono E Bold Italic
Nimbus Roman No9 Regular	Letter Gothic Regular
Nimbus Roman No9 Bold	Letter Gothic Bold
Nimbus Roman No9 Italic	Letter Gothic Italic
Nimbus Roman No9 Bold Italic	Nimbus Mono PS Regular
Nimbus Sans	Nimbus Mono PS Bold
Nimbus Sans Bold	Nimbus Mono PS Italic
Nimbus Sans Italic	Nimbus Mono PS Bold Italic

## ■ Internal PS fonts list

Algiers Light	Lubalin Oblique
Algiers Medium	Lubalin Demi
Algiers Medium Italic	Lubalin Demi Oblique
Alon URW	Mauritius
Antique Olive Regular	Mona Lisa
Antique Olive Italic	Nimbus GUI Regular
Antique Olive Bold	Nimbus Mono E Regular
Antique Olive Compact	Nimbus Mono E Italic
Baskerville URW Regular	Nimbus Mono E Bold
Baskerville URW Italic	Nimbus Mono E Bold Italic
Baskerville URW Black	Nimbus Roman Regular
Baskerville URW Black Italic	Nimbus Roman Italic
Baskerville Ornaments	Nimbus Roman Bold
Bodoni Antiqua Regular	Nimbus Roman Bold Italic
Bodoni Antiqua Italic	Nimbus Roman No9 Regular
Bodoni Antiqua Bold	Nimbus Roman No9 Italic
Bodoni Antiqua Bold Italic	Nimbus Roman No9 Bold
Bodoni Ultra	Nimbus Roman No9 Bold Italic
Bodoni Compress	Nimbus Roman Screen Regular
Cooper Black	Nimbus Sans
Cooper Black Italic	Nimbus Sans Italic
Copperplate Medium	Nimbus Sans Bold
Copperplate Bold	Nimbus Sans Bold Italic
Dingbats	Nimbus Sans Condensed
Eurostile	Nimbus Sans Condensed Italic
Eurostile Bold	Nimbus Sans Condensed Bold
Eurostile Extended	Nimbus Sans Condensed Bold Italic
Eurostile Bold Extended	Nimbus Sans Narrow
Garamond URW Regular	Nimbus Sans Narrow Oblique
Garamond URW Italic	Nimbus Sans Narrow Bold
Garamond URW Demi	Nimbus Sans Narrow Bold Oblique
Garamond URW Demi Italic	Nimbus Sans No2 Regular
Goudy Regular	Nimbus Sans No2 Italic
Goudy Italic	Nimbus Sans No2 Bold
Goudy Medium	Nimbus Sans No2 Bold Italic
Goudy Medium Italic	Nimbus Sans Screen Regular
Goudy Bold	Nimbus Typewriter
Letter Gothic L Regular	Standard Symbol PS
Letter Gothic L Regular Italic	Unger Chancery
Letter Gothic L Medium	URW Affiche
Letter Gothic L Medium Italic	URW Bookman Light
Lubalin	URW Bookman Light Italic

URW Bookman Demi	URW Classico Bold Italic
URW Bookman Demi Italic	URW Corsica Regular
URW Century Roman	URW Dings
URW Century Italic	URW Gibraltar Light
URW Century Bold	URW Gibraltar Light Italic
URW Century Bold Italic	URW Gibraltar Regular
URW Chancery Medium Italic	URW Gibraltar Italic
URW Clarendon Light	URW Gibraltar Bold
URW Clarendon Medium	URW Gibraltar Bold Italic
URW Clarendon Bold	URW Gibraltar Extra Bold
URW Classic Sans Light	URW Gibraltar Condensed Regular
URW Classic Sans Light Italic	URW Gibraltar Condensed Bold
URW Classic Sans Regular	URW Gothic Book
URW Classic Sans Italic	URW Gothic Book Oblique
URW Classic Sans Bold	URW Gothic Demi
URW Classic Sans Bold Italic	URW Gothic Demi Oblique
URW Classic Sans Cond Regular	URW Joanna
URW Classic Sans Cond Italic	URW Joanna Italic
URW Classic Sans Condensed Bold	URW Joanna Bold
URW Classic Sans Condensed Bold Italic	URW Joanna Bold Italic
URW Classic Sans Extended Regular	URW Palladio Roman
URW Classic Sans Extended Italic	URW Palladio Italic
URW Classic Sans Extended Bold	URW Palladio Bold
URW Classic Sans Extended Bold Italic	URW Palladio Bold Italic
URW Classico Regular	URW Signs
URW Classico Italic	IPAexGothic
URW Classico Bold	IPAexMincho

## Template

---

The numbers of the groups which can be created and the templates which can be registered in each group differ depending on the model in use.

Model	The numbers of the groups		The numbers of the templates which can be registered in each group
	Public Template Group	Private Groups *1	
e-STUDIO5015AC Series	1	200	60
e-STUDIO5018A Series	1	200	60

\*1 "Useful Templates" are registered under the group 001 by default.

## SPECIFICATIONS OF OPTIONS

<b>Outlines of Options</b> .....	<b>40</b>
Option.....	40
Finishing modes and optional finishing devices .....	41
<b>Document feed</b> .....	<b>44</b>
Reversing Automatic Document Feeder .....	44
Dual Scan Document Feeder .....	44
<b>Paper feed</b> .....	<b>45</b>
Paper Feed Pedestal and Additional Drawer Module .....	45
Paper Feed Unit .....	45
Envelope Drawer.....	46
Large Capacity Feeder .....	46
<b>Exit Options</b> .....	<b>47</b>
Job Separator .....	47
Bridge Unit .....	47
Finisher (for e-STUDIO5015AC Series/e-STUDIO5018A Series) .....	48
Saddle Stitch Finisher (for e-STUDIO5015AC Series/e-STUDIO5018A Series) .....	51
Inner Finisher (for e-STUDIO5015AC Series/e-STUDIO5018A Series).....	55
Hole Punch Unit MJ-6011 Series (for e-STUDIO5015AC Series / e-STUDIO5018A Series) .....	57
Hole Punch Unit MJ-6105 Series (for e-STUDIO5015AC Series / e-STUDIO5018A Series) .....	58
<b>System Options</b> .....	<b>59</b>
FAX Unit .....	59
Wireless LAN and Bluetooth units.....	60

## Outlines of Options

### ■ Option

#### □ e-STUDIO5015AC Series/e-STUDIO5018A Series

Name	Model Name	e-STUDIO2010AC e-STUDIO2510AC	e-STUDIO2515AC e-STUDIO3015AC e-STUDIO3515AC e-STUDIO4515AC e-STUDIO5015AC	e-STUDIO2018A e-STUDIO2518A e-STUDIO3018A	e-STUDIO3518A e-STUDIO4518A e-STUDIO5018A
Document feed					
Original Cover	KA-5005PC	YES	YES	YES	YES
Reversing Automatic Document Feeder	MR-3031	YES	YES	YES	YES
Dual Scan Document Feeder	MR-4000	NO	YES	YES	YES
Paper feed					
Paper Feed Pedestal	KD-1058	YES	YES	YES	YES
Additional Drawer Module	MY-1048	YES	YES	YES	YES
Paper Feed Unit	MY-1047	YES	NO	NO	NO
Envelope Drawer	MY-1049	YES	YES	YES	YES
Large Capacity Feeder	KD-1059	YES	YES	YES	YES
Exit					
Job Separator	MJ-5014	YES	NO	YES	NO
	MJ-5015	NO	YES	NO	YES
Bridge Unit	KN-5005	YES	YES	YES	YES
Finisher	MJ-1109	NO	YES	YES	YES
Saddle Stitch Finisher	MJ-1110	YES	YES	YES	YES
Hole Punch Unit	MJ-6011	YES	YES	YES	YES
	MJ-6105	YES	YES	YES	YES
Inner Finisher	MJ-1042	YES	YES	YES	YES
System					
FAX Unit	GD-1370	YES	YES	YES	YES
Wireless LAN/Bluetooth Module	GN-4020	YES	YES	YES	YES
Hardcopy Security Kit	GP-1190	YES	YES	NO	NO
Ten Key	GR-1340	YES	YES	YES	YES



Name	Model Name	e-STUDIO2010AC e-STUDIO2510AC	e-STUDIO2515AC e-STUDIO3015AC e-STUDIO3515AC e-STUDIO4515AC e-STUDIO5015AC	e-STUDIO2018A e-STUDIO2518A e-STUDIO3018A	e-STUDIO3518A e-STUDIO4518A e-STUDIO5018A
FIPS Hard Disk Kit	GE-1230	YES	YES	YES	YES
Extended Memory (4GB)	GC-1410	YES	NO	YES	NO
Data Overwrite Enabler	GP-1070	YES	YES	YES	YES
Meta Scan Enabler	GS-1010	YES	YES	YES	YES
External Interface Enabler	GS-1020	YES	YES	YES	YES
IPsec Enabler	GP-1080	YES	YES	YES	YES
Unicode Font Enabler	GS-1007	YES	YES	YES	YES
OCR Enabler	GS-1080	YES	YES	YES	YES
	GS-1085	YES	YES	YES	YES
Multi Station Print Enabler	GS-1090	YES	YES	YES	YES
	GS-1095	YES	YES	YES	YES
Printer Scanner Enabler	GM-2290	NO	NO	YES	YES
USB Hub	GR-1310	YES	YES	YES	YES
Others					
Desk	MH-5005	YES	YES	YES	YES
Work Table	KK-5005	YES	YES	YES	YES
Operator's Manual Pocket	KK-5008	YES	YES	YES	YES
Accessible Arm	KK-2560	YES	YES	YES	YES
Accessory Tray	GR-1330	YES	YES	YES	YES

**Note**

- Depending on the model, options have been already installed and the functions can be used.
- Depending on the destination, some options may not be available.

**Finishing modes and optional finishing devices**

See the table below for each finishing mode.

Finishing mode	Description
Non-sort Non-staple	Copies exit without being sorted or stapled.
Sort	Copies exit in the offset mode (shift exiting) in the same page order as the originals one set after another.
Group	Copies grouped by page exit in the offset mode (shift exiting).

Finishing mode	Description
Rotate sort	Copies exit in the offset mode (shift exiting) set by set alternately in a different direction.
Staple sort	Copies exit with their corner stapled.
Magazine sort	Copies exit in a book-type page order.
Center fold	Copies exit in a book-type page order with their center folded.
Saddle stitch	Copies exit in a book-type page order with their center folded and stapled.
Magazine sort & center fold	Magazine sort and center fold are used together.
Magazine sort & saddle stitch	Magazine sort and saddle stitch are used together.
Hole punch	Copies exit with their side punched.
Manual staple	Copies are stapled manually.

The available finishing modes differ depending on the type of optional finishing devices (Finisher and Hole Punch Unit) installed. Finishing devices available for this equipment are as follows:

#### Finisher

- Inner Finisher MJ-1042 (for e-STUDIO5015AC Series, e-STUDIO5018A Series)
- Finisher MJ-1109 (for e-STUDIO2515AC/3015AC/3515AC/4515AC/5015AC, e-STUDIO5018A Series)
- Saddle Stitch Finisher MJ-1110 (for e-STUDIO5015AC Series, e-STUDIO5018A Series)

#### Hole Punch Unit

- Hole Punch Unit MJ-6011 (for Inner Finisher MJ-1042)
- Hole Punch Unit MJ-6105 (for Finisher MJ-1109 and Saddle Stitch Finisher MJ-1110)

#### Inner Tray

- Inner Tray MJ-5014 (For e-STUDIO2010AC/2510AC and e-STUDIO2018A/2518A/3018A)
- Inner Tray MJ-5015 (for e-STUDIO2515AC/3015AC/3515AC/4515AC/5015AC, e-STUDIO3518A/4518A/5018A)

#### Tip

- The inner tray cannot be installed when the Inner Finisher MJ-1042 is installed.

Use the table below to check the available finishing modes.

Finishing mode	Devices					
	MJ-1109 & MJ-6105	MJ-1109	MJ-1110 & MJ-6105	MJ-1110	MJ-1042 & MJ-6011	MJ-1042
Non-sort Non-staple	Yes	Yes	Yes	Yes	Yes	Yes
Sort	Yes	Yes	Yes	Yes	Yes	Yes
Group	Yes	Yes	Yes	Yes	Yes	Yes
Rotate sort	Yes	Yes	Yes	Yes	Yes	Yes
Staple sort	Yes	Yes	Yes	Yes	Yes	Yes
Magazine sort	Yes	Yes	Yes	Yes	Yes	Yes
Center fold	—	—	Yes	Yes	—	—
Saddle stitch	—	—	Yes	Yes	—	—
Magazine sort & center fold	—	—	Yes	Yes	—	—
Magazine sort & saddle stitch	—	—	Yes	Yes	—	—
Hole punch	Yes	—	Yes	—	Yes	—

Finishing mode	Devices					
	MJ-1109 & MJ-6105	MJ-1109	MJ-1110 & MJ-6105	MJ-1110	MJ-1042 & MJ-6011	MJ-1042
Manual staple (Paper Preparation Guide)	Yes	Yes	Yes	Yes	—	—

Finishing mode	Devices		
	MJ-5014	MJ-5015	No device
Non-sort Non-staple	Yes	Yes	Yes
Sort	Yes	Yes	Yes
Group	Yes	Yes	Yes
Rotate sort	Yes	Yes	Yes
Staple sort	—	—	—
Magazine sort	Yes	Yes	Yes
Center fold	—	—	—
Saddle stitch	—	—	—
Magazine sort & center fold	—	—	—
Magazine sort & saddle stitch	—	—	—
Hole punch	—	—	—
Manual staple (Paper Preparation Guide)	—	—	—

For the setting of each finishing mode, refer to the **Copying Guide**.

## Document feed

### ■ Reversing Automatic Document Feeder

<b>Model name</b>	MR-3031
<b>Copy sides</b>	1-side, Duplex
<b>Number of originals (A4 or LT)</b>	100 originals (35 - 80 g/m <sup>2</sup> , 9.3 - 20 lb. Bond) or 16 mm/0.63" or less in height (more than 80 g/m <sup>2</sup> , 20 lb. Bond)
<b>Feeding speed</b>	1-side: More than 50 sheets/min. (600 dpi), More than 73 sheets/min. (300 dpi) Duplex: 25 sheets/min. (600 dpi)
<b>Acceptable originals</b>	A3, A4, A4-R, A5-R, B4, B5, B5-R, FOLIO, LD, LG, LT, LT-R, ST-R, COMP(A5 and ST size are not acceptable.)
<b>Paper weight</b>	1-sided original: 35 - 157 g/m <sup>2</sup> , 9.3 - 41.8 lb., 2-sided original: 50 - 157 g/m <sup>2</sup> , 13.3 - 41.8 lb.
<b>Power source</b>	DC 5V, DC 24V (supplied from the equipment)
<b>Dimensions</b>	575 mm (22.6") (W) x 531 mm (20.9") (D) x 135 mm (5.3") (H)
<b>Weight</b>	Approx. 11 kg (24.3 lb.)
<b>Power consumption</b>	49.5 W or less

### ■ Dual Scan Document Feeder

<b>Model name</b>	MR-4000
<b>Copy sides</b>	1-side, Duplex
<b>Number of originals (A4 or LT)</b>	300 originals (35 - 80 g/m <sup>2</sup> , 9.3 - 20 lb. Bond) or 38 mm/1.50" or less in height (more than 80 g/m <sup>2</sup> , 20 lb. Bond)
<b>Feeding speed</b>	1-side: More than 70 pages/min. (600 dpi), More than 120 pages/min. (200 dpi) Duplex: More than 120 pages/min. (600 dpi), More than 240 pages/min. (200 dpi)
<b>Acceptable originals</b>	A3, A4, A4-R, A5-R, B4, B5, B5-R, FOLIO, LD, LG, LT, LT-R, ST-R, COMP (A5 and ST size are not acceptable.)
<b>Paper weight</b>	35 - 209 g/m <sup>2</sup> , 9.3 - 41.8 lb. *1, *2
<b>Power source</b>	DC 5 V, DC 24 V (supplied from the equipment)
<b>Dimensions</b>	575 mm (22.6") (W) x 531 mm (20.9") (D) x 180 mm (7.1") (H)
<b>Weight</b>	Approx. 14 kg (30.9 lb.)
<b>Power consumption</b>	60 W or less


\*1 Bleed-through will occur when a 2-sided original with thin paper such as 35 g/m<sup>2</sup> (9.3 lb.) is scanned.

\*2 Sufficient image quality may not be obtained if the paper weight of an original exceeds 157 g/m<sup>2</sup> (41.8 lb.).


## Paper feed

### ■ Paper Feed Pedestal and Additional Drawer Module

<b>Model name</b>	KD-1058
<b>Acceptable paper size</b>	A3, A4, A4-R, A5-R, B4, B5, B5-R, FOLIO, 305 mm x 457 mm, 320 mm x 450 mm, 320 mm x 460 mm, LD, LG, LT, LT-R, ST-R, COMP, 8.5"SQ, 12" x 18", 13"LG, 8K, 16K, 16K-R, non-standard size <sup>*1</sup> (A5 and ST are not acceptable.)
<b>Paper weight</b>	60 - 256 g/m <sup>2</sup> (16 lb. Bond - 80 lb. Bond, -140 lb. Index) Erasable blue print (e-STUDIO5008LP Series): 64 - 80 g/m <sup>2</sup> (17 lb. Bond - 20 lb. Bond)
<b>Maximum capacity</b>	550 sheets (80 g/m <sup>2</sup> , 20 lb. Bond)
<b>Power source</b>	DC 5 V, DC 24 V (supplied from the equipment)
<b>Dimensions</b>	668 mm (26.3") (W) x 701 mm (27.6") (D) x 292 mm (11.5") (H) (incl. Stabilizer)
<b>Weight</b>	Approx. 16.3 kg (35.9 lb.)


<sup>\*1</sup> Refer to  P.8 "Acceptable copy paper" about the acceptable non-standard size.

<b>Model name</b>	MY-1048
<b>Acceptable paper size</b>	A3, A4, A4-R, A5-R, B4, B5, B5-R, FOLIO, 305 mm x 457 mm, 320 mm x 450 mm, 320 mm x 460 mm, LD, LG, LT, LT-R, ST-R, COMP, 8.5"SQ, 12" x 18", 13"LG, 8K, 16K, 16K-R, non-standard size <sup>*1</sup> (A5 and ST are not acceptable.)
<b>Paper weight</b>	60 - 256 g/m <sup>2</sup> (16 lb. Bond - 80 lb. Bond, -140 lb. Index) Erasable blue print (e-STUDIO5008LP Series): 64 - 80 g/m <sup>2</sup> (17 lb. Bond - 20 lb. Bond)
<b>Power source</b>	DC 5 V, DC 24 V (supplied from the equipment)
<b>Maximum capacity</b>	550 sheets (80 g/m <sup>2</sup> , 20 lb. Bond), 500 sheets (105 g/m <sup>2</sup> , 24 or 28 lb. Bond)
<b>Weight</b>	Approx. 3.1 kg (6.8 lb.)

<sup>\*1</sup> Refer to  P.8 "Acceptable copy paper" about the acceptable non-standard size.

### ■ Paper Feed Unit

<b>Model name</b>	MY-1047
<b>Acceptable paper size</b>	A3, A4, A4-R, A5-R, B4, B5, B5-R, FOLIO, LD, LG, LT, LT-R, ST-R, COMP, 8.5"SQ, 13"LG, 8K, 16K, 16K-R, non-standard size <sup>*1</sup>
<b>Paper weight</b>	60 - 163 g/m <sup>2</sup> (16 lb. Bond - 90 lb. Index)
<b>Maximum capacity</b>	550 sheets (80 g/m <sup>2</sup> , 20 lb. Bond)
<b>Power source</b>	DC 5 V, DC 24 V (supplied from the equipment)
<b>Dimensions</b>	575 mm (22.6") (W) x 583 mm (23") (D) x 163 mm (6.4") (H) (excl. Stabilizer)
<b>Weight</b>	Approx. 9.7 kg (21.4 lb.)

<sup>\*1</sup> Refer to  P.8 "Acceptable copy paper" about the acceptable non-standard size.

## ■ Envelope Drawer

<b>Model name</b>	MY-1049
<b>Acceptable paper size</b>	Envelope: COM10, Monarch, CHO-3, YOU-4, DL Paper: A4-R, B5-R, A5-R, 16K-R, LG, 13"LG, LT-R, ST-R Envelope non standard size: Length: 100 - 240 mm (3.9" - 9.4"), Width: 162 - 380 mm (6.4" - 15")
<b>Paper weight</b>	Envelope: - 85 g/m <sup>2</sup> (- 22.6 lb. Bond), Paper - 256 g/m <sup>2</sup> (- 140 lb. Index)
<b>Maximum capacity</b>	Envelope: 50 mm in height or less, Paper: 550 sheets (80 g/m <sup>2</sup> , 20 lb. Bond)
<b>Power source</b>	DC 5 V, DC 24 V (supplied from the equipment)
<b>Dimensions</b>	532 mm (20.9") (W) x 575 mm (22.6") (D) x 89 mm (3.5") (H)
<b>Weight</b>	Approx. 3.3 kg (7.3 lb.)

## ■ Large Capacity Feeder

<b>Model name</b>	KD-1059
<b>Acceptable paper size</b>	A4 or LT
<b>Paper weight</b>	64 - 105 g/m <sup>2</sup> , 17-28 lb. Bond
<b>Maximum capacity</b>	2000 sheets (80 g/m <sup>2</sup> , 20 lb. Bond) (Height: approx. 110 mm or 4.3" x 2)
<b>Power source</b>	DC 5 V, DC 24 V (supplied from the equipment)
<b>Dimensions</b>	668 mm (26.3") (W) x 735 mm (28.9") (D) x 292 mm (11.5") (H) (incl. Stabilizer)
<b>Weight</b>	Approx. 25.5 kg (56.2 lb.)

## Exit Options

### Job Separator

<b>Model name</b>		MJ-5014	
		e-STUDIO2010AC e-STUDIO2510AC	e-STUDIO2018A e-STUDIO2518A e-STUDIO3018A
<b>Acceptable paper size</b>		A3, A4, A4-R, A5-R, B4, B5, B5-R, FOLIO, LD, LG, LT, LT-R, ST-R, COMP, 8.5"SQ, 8K, 16K, 16K-R, 13"LG, CHO-3 (120 mm × 235 mm), YOU-4 (105 mm × 235 mm), KAKU-2 (240 mm × 332 mm), DL (110 mm × 220 mm), Monarch (3 7/8" × 7 1/2"), COM10 (4 1/8" × 9 1/2")	
<b>Acceptable paper weight</b>	<b>Upper stacker</b>	60 - 105 g/m <sup>2</sup> , 16 - 28 lb. Bond	60 - 105 g/m <sup>2</sup> , 16 - 28 lb. Bond
	<b>Lower stacker</b>	60 - 209 g/m <sup>2</sup> , 16 lb. Bond - 110 lb. Index	60 - 256 g/m <sup>2</sup> , 16 lb. Bond - 140 lb. Index
<b>Loading capacity</b>	<b>Upper stacker</b>	25 mm, 0.98" (150 sheets) <sup>*1</sup>	
	<b>Lower stacker</b>	40 mm, 1.57" (250 sheets) <sup>*1</sup>	
<b>Power source</b>		DC 5 V, DC 24 V Supplied from the equipment	
<b>Dimensions</b>		498 mm (19.6") (W) x 415 mm (16.3") (D) x 153 mm (6") (H)	
<b>Weight</b>		Approx. 3.3 kg (7.3 lb.)	

\*1 Values in parentheses: Number of sheets (80 g/m<sup>2</sup> or 20 lb. Bond)

<b>Model name</b>		MJ-5015	
		e-STUDIO2515AC e-STUDIO3015AC e-STUDIO3515AC e-STUDIO4515AC e-STUDIO5015AC	e-STUDIO3518A e-STUDIO4518A e-STUDIO5018A
<b>Acceptable paper size</b>		A3, A4, A4-R, A5-R, B4, B5, B5-R, FOLIO, LD, LG, LT, LT-R, ST-R, COMP, 8.5"SQ, 8K, 16K, 16K-R, 13"LG, CHO-3 (120 mm × 235 mm), YOU-4 (105 mm × 235 mm), KAKU-2 (240 mm × 332 mm), DL (110 mm × 220 mm), Monarch (3 7/8" × 7 1/2"), COM10 (4 1/8" × 9 1/2")	
		320 mm × 450 mm, 320 mm × 460 mm, 305 mm × 457 mm, 12" × 18"	—
<b>Acceptable paper weight</b>	<b>Upper stacker</b>	60 - 105 g/m <sup>2</sup> , 16 - 28 lb. Bond	60 - 105 g/m <sup>2</sup> , 16 - 28 lb. Bond
	<b>Lower stacker</b>	52 - 280 g/m <sup>2</sup> , 14 lb. Bond - 150 lb. Index	60 - 256 g/m <sup>2</sup> , 16 lb. Bond - 140 lb. Index
<b>Loading capacity</b>	<b>Upper stacker</b>	25 mm, 0.98" (150 sheets) <sup>*1</sup>	
	<b>Lower stacker</b>	40 mm, 1.57" (250 sheets) <sup>*1</sup>	
<b>Power source</b>		DC 5 V Supplied from the equipment	
<b>Weight</b>		Approx. 1 kg (2.2 lb.)	

\*1 Values in parentheses: Number of sheets (80 g/m<sup>2</sup> or 20 lb. Bond)

### Bridge Unit

<b>Model name</b>	KN-5005
<b>Weight</b>	Approx. 6.5 kg (14.3 lb.)

## ■ Finisher (for e-STUDIO5015AC Series/e-STUDIO5018A Series)

<b>Model name</b>	MJ-1109	
	e-STUDIO2515AC e-STUDIO3015AC e-STUDIO3515AC e-STUDIO4515AC e-STUDIO5015AC	e-STUDIO2018A e-STUDIO2518A e-STUDIO3018A e-STUDIO3518A e-STUDIO4518A e-STUDIO5018A
<b>Type</b>	Floor type (Console type)	
<b>Acceptable paper size</b>	A3, A4, A4-R, A5-R, B4, B5, B5-R, FOLIO, LD, LG, LT, LT-R, ST-R, COMP, 8.5"SQ, 13"LG, 8K, 16K, 16K-R, CHO-3 (120 mm × 235 mm), YOU-4 (105 mm × 235 mm), KAKU-2 (240 mm × 332 mm), DL (110 mm × 220 mm), Monarch (3 7/8" × 7 1/2"), COM10 (4 1/8" × 9 1/2")	
	320 mm × 450 mm, 320 mm × 460 mm, 305 mm × 457 mm, 12" × 18"	—
<b>Acceptable paper weight</b>	52 - 256 g/m <sup>2</sup> , 14 lb. Bond - 140 lb. Index	52 - 256 g/m <sup>2</sup> , 14 lb. Bond - 140 lb. Index
<b>Power source</b>	DC 5.1 V, DC 24 V Supplied from the equipment	
<b>Dimensions</b>	535 mm (21") (W) x 598 mm (23.5") (D) x 1092 mm (43") (H) (When the sub-tray is retracted)	
<b>Weight</b>	Approx. 34 kg (74.8 lb.)	
<b>Power consumption</b>	85 W or less	

## □ Maximum number of sheets available for stapling

<b>Paper size</b>	<b>Paper weight</b>		
	<b>60 - 80 g/m<sup>2</sup> (16 - 20 lb. Bond)</b>	<b>81 - 90 g/m<sup>2</sup> (21 - 24 lb. Bond)</b>	<b>91 - 105 g/m<sup>2</sup> (25 - 28 lb. Bond)</b>
A4, A4-R, B5, LT, LT-R, 8.5"SQ, 16K	50 sheets	50 sheets	30 sheets
A3, B4, FOLIO, LD, LG, COMP, 13"LG, 8K	30 sheets	30 sheets	15 sheets

### Note

When inserting 2 cover sheets (60 to 256g/m<sup>2</sup> (16 lb. Bond to 140 lb. Index)), these 2 sheets are included.



## ❑ Tray loading capacity

### Upper Receiving Tray\*<sup>1</sup>

Paper size	Loading height	Paper weight		
		60 - 80 g/m <sup>2</sup> (16 - 20 lb. Bond)	81 - 90 g/m <sup>2</sup> (21 - 24 lb. Bond)	91 - 105 g/m <sup>2</sup> (25 - 28 lb. Bond)
A4, B5, LT, A5-R, ST-R, 8.5"SQ, 16K, A6-R	36.75 mm (1.45")	250 sheets	225 sheets	190 sheets
A3, A4-R, B4, FOLIO, LD, LG, LT-R, COMP, B5-R, 13"LG, 8K, 16K-R, 305 mm x 457 mm, 320 mm x 450 mm, 320 mm x 460 mm, non-standard size	18.4 mm (0.72")	125 sheets	112 sheets	95 sheets
Envelope	18.4 mm (0.72")	60 sheets	—	—

\*1 When ejecting a large volume of A3-size or thick paper to the upper receiving tray, the paper tends to fall off from the tray. To avoid this, remove the paper from the tray quite frequently.

- The loading height is 18.4 mm or 125 sheets (60 to 80 g/m<sup>2</sup> (16 to 20 lb. Bond)) when ejecting mixed-size paper.
- Ejecting of the paper to the upper receiving tray cannot be performed in the offset mode.

### Lower Receiving Tray

#### Other than the staple mode

Paper size	Loading height	Paper weight			
		60 - 80 g/m <sup>2</sup> (16 - 20 lb. Bond)	81 - 90 g/m <sup>2</sup> (21 - 24 lb. Bond)	91 - 105 g/m <sup>2</sup> (25 - 28 lb. Bond)	106 - 256 g/m <sup>2</sup> (29 lb. Bond - 140 lb. Index)
A4, B5, LT, 8.5"SQ, 16K	250 mm (9.84")	2000 sheets	1800 sheets	1400 sheets	550 sheets
A3, A4-R, B4, FOLIO, LD, LG, LT-R, COMP, 13"LG, 8K, 16K-R, 305 mm x 457 mm	140 mm (5.51")	1000 sheets	900 sheets	700 sheets	275 sheets
ST-R, A5-R, B5-R, A6-R, non-standard size	—	500 sheets	500 sheets	500 sheets	450 sheets

- The loading height is 140 mm or 1000 sheets of paper at mixed size.
- The offset mode does not support the paper sizes A5-R, A6-R, B5-R, ST-R, 16K-R, 305 mm x 457 mm and non-standard.

---

**Staple mode**

Paper size	Stapling position	Loading height	Paper weight
			60 - 105 g/m <sup>2</sup> (16 - 28 lb. Bond)
A3, A4, A4-R, B4, B5, FOLIO, LD, LG, LT, LT-R, COMP, 13"LG, 8K, 16K, 8.5"SQ	Single (Front/Rear)	—	30 sets
	Double *1	—	

\*1 8K, 16K, 13"LG and 8.5"SQ are excluded.

- The loading capacity is 1000 sheets (60 to 80 g/m<sup>2</sup> (16 to 20 lb. Bond)) when ejecting mixed-size paper.

## ■ Saddle Stitch Finisher (for e-STUDIO5015AC Series/e-STUDIO5018A Series)

<b>Model name</b>	MJ-1110		
	e-STUDIO2010AC e-STUDIO2510AC	e-STUDIO2515AC e-STUDIO3015AC e-STUDIO3515AC e-STUDIO4515AC e-STUDIO5015AC	e-STUDIO2018A e-STUDIO2518A e-STUDIO3018A e-STUDIO3518A e-STUDIO4518A e-STUDIO5018A
<b>Type</b>	Floor type (Console type)		
<b>Acceptable paper size</b>	A3, A4, A4-R, A5-R, B4, B5, B5-R, FOLIO, LD, LG, LT, LT-R, ST-R, COMP, 8.5"SQ, 8K, 16K, 16K-R, 13"LG, CHO-3 (120 mm × 235 mm), YOU-4 (105 mm × 235 mm), KAKU-2 (240 mm × 332 mm), DL (110 mm × 220 mm), Monarch (3 7/8" × 7 1/2"), COM10 (4 1/8" × 9 1/2")		
	—	320 mm × 450 mm, 320 mm × 460 mm, 305 mm × 457 mm, 12" × 18"	—
<b>Acceptable paper weight</b>	60 - 209 g/m <sup>2</sup> , 16 lb. Bond - 110 lb. Index	52 - 280 g/m <sup>2</sup> , 14 lb. Bond - 100 lb. Cover	52 - 256 g/m <sup>2</sup> , 14 lb. Bond - 140 lb. Index
<b>Power source</b>	DC 5.1 V, DC 24 V Supplied from the equipment		
<b>Dimensions</b>	617 mm (24.3") (W) x 603 mm (23.7") (D) x 1085 mm (42.7") (H) (When the sub-tray is retracted)		
<b>Weight</b>	Approx. 70 kg (154.3 lb.)		
<b>Power consumption</b>	85 W or less		

### □ Maximum number of sheets available for stapling

Paper size	Paper weight		
	60 - 80 g/m <sup>2</sup> (16 - 20 lb. Bond)	81 - 90 g/m <sup>2</sup> (21 - 24 lb. Bond)	91 - 105 g/m <sup>2</sup> (25 - 28 lb. Bond)
A4, A4-R, B5, LT, LT-R, 8.5"SQ, 16K	50 sheets	50 sheets	30 sheets
A3, B4, FOLIO, LD, LG, COMP, 13"LG, 8K	30 sheets	30 sheets	15 sheets

- Make sure that the thickness per set is 5.7 mm or less.
- A5-R, A6-R, B5-R, ST-R, 16K-R, CHO-3, YOU-4, DL, Monarch and COM10 are excluded.

#### Note

When inserting 2 cover sheets (60 to 256 g/m<sup>2</sup> (16 lb. Bond to 140 lb. Index)), these 2 sheets are included.

### □ Maximum number of sheets available for saddle stitching

Paper size	Paper weight		
	60 - 80 g/m <sup>2</sup> (16 - 20 lb. Bond)	81 - 90 g/m <sup>2</sup> (21 - 24 lb. Bond)	91 - 105 g/m <sup>2</sup> (25 - 28 lb. Bond)
A3, A4-R, B4, LD, LT-R, LG	15 sheets	15 sheets	10 sheets

- Make sure that the thickness per set is 1.7 mm or less.

#### Note

When inserting 2 cover sheets (60 to 256 g/m<sup>2</sup> (16 lb. Bond to 140 lb. Index)), these 2 sheets are included.

## ❑ Maximum number of sheets available for center folding

Paper size	Paper weight		
	60 - 80 g/m <sup>2</sup> (16 - 20 lb. Bond)	81 - 90 g/m <sup>2</sup> (21 - 24 lb. Bond)	91 - 105 g/m <sup>2</sup> (25 - 28 lb. Bond)
A3, A4-R, B4, LD, LT-R, LG	5 sheets	5 sheets	5 sheets

### Note

When inserting 2 cover sheets (60 to 256 g/m<sup>2</sup> (16 lb. Bond to 140 lb. Index)), these 2 sheets are included.

## ❑ Tray loading capacity

### Upper Receiving Tray\*<sup>1</sup>

Paper size	Loading height	Paper weight		
		60 - 80 g/m <sup>2</sup> (16 - 20 lb. Bond)	81 - 90 g/m <sup>2</sup> (21 - 24 lb. Bond)	91 - 105 g/m <sup>2</sup> (25 - 28 lb. Bond)
A4, A5-R, A6-R, B5, LT, ST-R, 8.5"SQ, 16K	36.75 mm (1.45")	250 sheets	225 sheets	190 sheets
A3, A4-R, B4, B5-R, FOLIO, 305 mm x 457 mm, 320 mm x 450 mm, 320 mm x 460 mm, LD, LG, LT-R, COMP, 13"LG, 8K, 16K-R, non-standard size	18.4 mm (0.72")	125 sheets	112 sheets	95 sheets
Envelope	18.4 mm (0.72")	60 sheets	—	—

\*1 When ejecting a large volume of A3-size or thick paper to the upper receiving tray, the paper tends to fall off from the tray. To avoid this, remove the paper from the tray quite frequently.

- The loading height is 18.4 mm or 125 sheets (60 to 80 g/m<sup>2</sup> (16 to 20 lb. Bond)) when ejecting mixed-size paper.
- Ejecting of the paper to the upper receiving tray cannot be performed in the offset mode.

## Lower Receiving Tray

### Other than the staple mode

Paper size	Loading height	Paper weight			
		60 - 80 g/m <sup>2</sup> (16 - 20 lb. Bond)	81 - 90 g/m <sup>2</sup> (21 - 24 lb. Bond)	91 - 105 g/m <sup>2</sup> (25 - 28 lb. Bond)	106 - 256 g/m <sup>2</sup> (29 lb. Bond - 140 lb. Index)
A4, B5, 8.5"SQ, 16K	350 mm (13.78")	3000 sheets	2700 sheets	2300 sheets	900 sheets
A3, A4-R, B4, FOLIO, 305 mm x 457 mm, LD, LG, LT-R, COMP, 13"LG, 12" x 18", 8K, 16K-R	175 mm (6.89")	1500 sheets	1350 sheets	1150 sheets	450 sheets
ST-R, A5-R, B5-R, A6-R, non-standard size	—	500 sheets	500 sheets	500 sheets	450 sheets

- The loading height is 175 mm or 1500 sheets (60 to 80 g/m<sup>2</sup> (16 to 20 lb. Bond)) when ejecting mixed-size paper.
- The offset mode does not support the paper sizes A5-R, A6-R, B5-R, ST-R, 16K-R, 305 mm x 457 mm and non-standard.

### Staple mode

Paper size	Stapling position	Loading height	Paper weight
			60 - 105 g/m <sup>2</sup> (16 - 28 lb. Bond)
A4, B5, LT	Single (Front/Rear)	—	Whichever of 100 sets or 2000 sheets is reached first
	Double	—	Whichever of 150 sets or 2000 sheets is reached first
A3, A4-R, B4, FOLIO, LD, LG, LT-R, COMP, 13"LG, 8K, 16K, 8.5"SQ	Single (Front/Rear)	—	Whichever of 50 sets or 1000 sheets is reached first
	Double *1	—	Whichever of 75 sets or 1000 sheets is reached first

\*1 8K, 16K, 13"LG and 8.5"SQ are excluded.

- The loading capacity is 1000 sheets (60 to 80 g/m<sup>2</sup> (16 to 20 lb. Bond)) when ejecting mixed-size paper.

### Saddle stitching mode

Paper size	Loading height	Paper weight	
		60 - 90 g/m <sup>2</sup> (16 - 24 lb. Bond)	91 - 105 g/m <sup>2</sup> (25 - 28 lb. Bond)
A3, A4-R, B4	—	11 - 15 sheets per set: 25 sets (10 sets if cover sheets are added) 6 - 10 sheets per set: 30 sets (15 sets if cover sheets are added) Less than 5 sheets per set: 50 sets	6 - 10 sheets per set: 25 sets (15 sets if cover sheets are added) Less than 5 sheets per set: 40 sets (30 sets if cover sheets are added)

**Center folding mode**

<b>Paper size</b>	<b>Loading height</b>	<b>Paper weight</b>
		<b>60 - 105 g/m<sup>2</sup> (16 - 28 lb. Bond)</b>
A3, A4-R, B4	—	Less than 5 sheets per set: 25 sets

**Inner Finisher (for e-STUDIO5015AC Series/e-STUDIO5018A Series)**

<b>Model name</b>	MJ-1042		
	e-STUDIO2010AC e-STUDIO2510AC	e-STUDIO2515AC e-STUDIO3015AC e-STUDIO3515AC e-STUDIO4515AC e-STUDIO5015AC	e-STUDIO2018A e-STUDIO2518A e-STUDIO3018A e-STUDIO3518A e-STUDIO4518A e-STUDIO5018A
<b>Type</b>	Inner Finisher		
<b>Acceptable paper size</b>	A3, A4, A4-R, A5-R, A6-R, B4, B5, B5-R, FOLIO, LD, LG, LT, LT-R, ST-R, COMP, 8.5"SQ, 8K, 16K, 16K-R, 13"LG, CHO-3 (120 mm × 235 mm), YOU-4 (105 mm × 235 mm), KAKU-2 (240 mm × 332 mm), DL (110 mm × 220 mm), Monarch (3 7/8" × 7 1/2"), COM10 (4 1/8" × 9 1/2")		
	—	320 mm × 450 mm, 320 mm × 460 mm, 305 mm × 457 mm, 12" × 18"	—
<b>Acceptable paper weight</b>	60 - 209 g/m <sup>2</sup> , 16 lb. Bond - 110 lb. Index	52 - 280 g/m <sup>2</sup> , 14 lb. Bond - 100 lb. Cover	52 - 256 g/m <sup>2</sup> , 14 lb. Bond - 140 lb. Index
<b>Power source</b>	DC 24 V Supplied from the equipment		
<b>Dimensions</b>	481.6 mm (19") (W) x 507.5 mm (20") (D) x 232.1 mm (9.1") (H) (When the sub-tray is retracted)		
<b>Weight</b>	Approx. 15.3 kg (33.7 lb.)		
<b>Power consumption</b>	56 W or less		

**Maximum number of sheets available for stapling**

Paper size	Paper weight		
	60 - 80 g/m <sup>2</sup> (16 - 20 lb. Bond)	81 - 90 g/m <sup>2</sup> (21 - 24 lb. Bond)	91 - 105 g/m <sup>2</sup> (25 - 28 lb. Bond)
A4, A4-R, B5, B5-R, LT, LT-R, 8.5"SQ, 16K, 16K-R	50 sheets	50 sheets	30 sheets
A3, B4, FOLIO, LD, LG, COMP, 13"LG, 8K	30 sheets	30 sheets	15 sheets

**Note**

When inserting 2 cover sheets (106 to 209 g/m<sup>2</sup> (29 lb. Bond to 110 lb. Index)), these 2 sheets are included.

## ❑ Tray loading capacity

### Upper Receiving Tray

Paper size	Loading height	Paper weight		
		60 - 80 g/m <sup>2</sup> (16 - 20 lb. Bond)	81 - 90 g/m <sup>2</sup> (21 - 24 lb. Bond)	91 - 105 g/m <sup>2</sup> (25 - 28 lb. Bond)
A4-R, A4, A5-R, B5-R, B5, LT-R, LT, ST-R, 8.5"SQ, 16K, 16K-R	14 mm (0.55")	100 sheets	89 sheets	76 sheets
A3, B4, FOLIO, LD, LG, COMP, 13"LG, 8K	7 mm (0.28")	50 sheets	45 sheets	38 sheets

- The loading height is 7 mm or 50 sheets (60 to 80 g/m<sup>2</sup> (16 to 20 lb. Bond)) when ejecting mixed-size paper.
- The paper cannot exit in the offset mode to the upper receiving tray.

### Lower Receiving Tray

#### Other than the staple mode

Paper size	Loading height	Paper weight						
		60 - 80 g/m <sup>2</sup> (16 - 20 lb. Bond)	81 - 90 g/m <sup>2</sup> (21 - 24 lb. Bond)	91 - 105 g/m <sup>2</sup> (25 - 28 lb. Bond)	106 - 163 g/m <sup>2</sup> (29 lb. Bond - 90 lb. Index)	164 - 209 g/m <sup>2</sup> (91 lb. Index - 110 lb. Index)	210 - 256 g/m <sup>2</sup> (111 lb. Index - 140 lb. Index)	257 - 280 g/m <sup>2</sup> (141 lb. Index - 100 lb. Cover)
A4-R, A4, A5-R, B5-R, B5, LT-R, LT, ST-R, 8.5"SQ, 16K, 16K-R	73 mm (2.87")	500 sheets	444 sheets	381 sheets	85 sheets	50 sheets	40 sheets	37 sheets
A3, B4, FOLIO, LD, LG, COMP, 13"LG, 8K	36 mm (1.42")	250 sheets	222 sheets	191 sheets				

- The loading height is 36 mm or 250 sheets (60 to 80 g/m<sup>2</sup> (16 to 20 lb. Bond)) when ejecting mixed-size paper.
- The offset mode does not support the paper sizes A5-R, A6-R, B5-R, ST-R, 16K-R and non-standard.



**Staple mode**

Paper size	Stapling position	Loading height	Paper weight		
			60 - 80 g/m <sup>2</sup> (16 - 20 lb. Bond)	81 - 90 g/m <sup>2</sup> (21 - 24 lb. Bond)	91 - 105 g/m <sup>2</sup> (25 - 28 lb. Bond)
A4-R, A4, A5-R, B5-R, B5, LT-R, LT, ST-R, 8.5"SQ, 16K, 16K-R	Single (Front/Rear), Double	73 mm (2.87") or 50 sets	500 sheets	444 sheets	381 sheets
A3, B4, FOLIO, LD, LG, COMP, 13"LG, 8K	Single (Front/Rear), Double	36 mm (1.42") or 25 sets	250 sheets	222 sheets	191 sheets

**■ Hole Punch Unit MJ-6011 Series (for e-STUDIO5015AC Series / e-STUDIO5018A Series)**

Model name	MJ-6011 Series				
	MJ-6011E	MJ-6011N		MJ-6011F	MJ-6011S
<b>Number of holes</b>	2 holes	2 holes	3 holes	4 holes	4 holes
<b>Hole diameter</b>	6.5 mm (0.26")	8.0 mm (0.32")	8.0 mm (0.32")	6.0 mm (0.24")	6.0 mm (0.24")
<b>Distance between holes</b>	80 mm (±1 mm) (3.15" (± 0.04"))	70 mm (± 1 mm) (2.76" (± 0.04"))	108 mm (± 1 mm) (4.25" (± 0.04"))	80 mm (± 1 mm) (3.15" (± 0.04"))	Center: 70 mm (± 1 mm) (2.76" (± 0.04")) Outside: 21 mm (± 1 mm) (0.83" (± 0.04"))
<b>Acceptable paper size</b>	A3, B4, FOLIO, LD, LG, COMP, 13"LG, 8K, A4, A4-R, B5, B5-R, LT, LT-R, 8.5"SQ, 16K, 16K-R	B4, FOLIO, LG, A4-R, B5, B5-R, LT-R, 8.5"SQ, 16K-R	A3, LD, COMP, 8K, A4, LT, 16K	A3, LD, 8K, A4, LT, 16K	A3, B4, FOLIO, LD, LG, COMP, 13"LG, 8K, A4, A4-R, B5, B5-R, LT, LT-R, 8.5"SQ, 16K, 16K-R
<b>Acceptable paper weight</b>	64 - 128 g/m <sup>2</sup> , 17 lb. Bond - 34 lb. Bond				
<b>Power source</b>	DC 5 V, DC 24 V (supplied from the equipment)				
<b>Weight</b>	Approx. 3.3 kg (7.3 lb.)				

## ■ Hole Punch Unit MJ-6105 Series (for e-STUDIO5015AC Series / e-STUDIO5018A Series)

<b>Model name</b>		MJ-6105 Series				
		MJ-6105E	MJ-6105N		MJ-6105F	MJ-6105S
<b>Acceptable paper size</b>		A3, A4, A4-R, B4, B5, B5-R, FOLIO, LD, LG, LT, LT-R, COMP, 8.5"SQ, 8K, 16K, 16K-R, 13"LG	A4-R, B4, B5, B5-R, FOLIO, LG, LT-R, COMP, 8.5"SQ, 16K-R, 13"LG	A3, A4, LD, LT, 8K, 16K	A3, A4, LD, LT, 8K, 16K	A3, A4, A4-R, B4, B5, B5-R, FOLIO, LD, LG, LT, LT-R, COMP, 8.5"SQ, 8K, 16K, 16K-R, 13"LG
<b>Model name</b>		e-STUDIO2010AC e-STUDIO2510AC	e-STUDIO2515AC e-STUDIO3015AC e-STUDIO3515AC e-STUDIO4515AC e-STUDIO5015AC		e-STUDIO2018A e-STUDIO2518A e-STUDIO3018A e-STUDIO3518A e-STUDIO4518A e-STUDIO5018A	
<b>Acceptable paper weight</b>		60 - 209 g/m <sup>2</sup> , 16 lb. Bond - 110 lb. Index	60 - 256 g/m <sup>2</sup> , 16 lb. Bond - 140 lb. Index		60 - 256 g/m <sup>2</sup> , 16 lb. Bond - 140 lb. Index	
<b>Punching</b>	<b>Model name</b>	MJ-6105E	MJ-6105N		MJ-6105F	MJ-6105S
	<b>Number of holes</b>	2 holes	2 holes	3 holes	4 holes	4 holes
	<b>Hole diameter</b>	6.5 mm (0.26")	8.0 mm (0.32")	8.0 mm (0.32")	6.0 mm (0.24")	6.0 mm (0.24")
	<b>Distance between holes</b>	80 mm (± 1 mm) (3.15"(± 0.04"))	70 mm (± 1 mm) (2.76" (± 0.04"))	108 mm (± 1 mm) (4.25" (± 0.04"))	80 mm (± 1 mm) (3.15" (± 0.04"))	Center: 70 mm (± 1 mm) (2.76" (± 0.04")) Outside: 21 mm (± 1 mm) (0.83" (± 0.04"))
<b>Power source</b>		DC 5 V, DC 24 V (supplied from the equipment)				
<b>Dimensions</b>		112 mm (4.4") (W) x 573 mm (22.6") (D) x 323 mm (12.7") (H) (excl. Lower cover)				
<b>Weight</b>		Approx. 7 kg (15.4 lb.)				

## System Options

### ■ FAX Unit

<b>Model Name</b>	GD-1370NA/EU
<b>Size of Original</b>	A3, A4, A4-R, A5, A5-R, B4, B5, B5-R, FOLIO, LD, LG, LT, LT-R, ST, ST-R, COMP
<b>Recording Paper Size</b>	A3, A4, A4-R, A5-R, B4, B5, B5-R, FOLIO, LD, LG, LT, LT-R, ST-R, COMP
<b>Compatibility Communication Modes</b>	ECM, Super G3
<b>Communication Resolution</b>	Horizontal: 8 dots/mm, 16 dots/mm, 300 dots/inch
	Vertical: 3.85 lines/mm, 7.7 lines/mm, 15.4 lines/mm, 300 dots/inch
<b>Transmission Rate</b>	33,600/31,200/28,800/26,400/24,000/21,600/19,200/16,800/14,400/12,000/9,600/7,200/4,800/2,400 bps
<b>Encoding Systems</b>	JBIG/MMR/MR/MH
<b>Memory Capacity</b>	Transmission/Reception: 1 GB (HDD) *1
<b>Unit Type</b>	Desktop type, transmitting/receiving dual type
<b>Applicable Network</b>	Public Switched Telephone Network (PSTN)

\*1 For the internal storage device, MB means 1 million bytes. (Total accessible capacity of the internal storage device may vary depending on operating environment.)

Toshiba-recommended paper is used for the values above. Specifications and appearance are subject to change without notice in the interest of product improvement.

## ■ Wireless LAN and Bluetooth units

### □ Wireless LAN

<b>Transmission Format</b>	IEEE 802.11b/g/n standard Direct Sequence Spread Spectrum (DSSS) Orthogonal Frequency Division Multiplexing (OFDM)
<b>Data Rate</b>	150 Mbps at a maximum (11n, 40 MHz)
<b>Access Method</b>	CSMA/CA
<b>Frequency Band</b>	2.4 GHz (2412 to 2462 MHz)
<b>Transmitter Power</b>	Max. 20 dBm
<b>Security</b>	Static WEP Key Length: 64 bit, 128 bit WPA2-PSK (AES (CCMP), TKIP+AES (CCMP)) WPA/WPA2-PSK (AES (CCMP), TKIP+AES (CCMP)) WPA2-PEAP/EAP-TLS (AES (CCMP), TKIP+AES (CCMP)) WPA/WPA2-PEAP/EAP-TLS (AES (CCMP), TKIP+AES (CCMP)) 802.1X: PEAP/EAP-TLS (DYNAMIC WEP) WPS: WPS-PBC, WPS-PIN PEAP/EAP-TLS supported RADIUS server Windows Server 2008 or later Linux hostapd v2.0
<b>Operation Mode</b>	Infrastructure Mode, Wi-Fi Direct (Group Owner: ON/OFF, When "ON" is selected, 8 units can be connected at a maximum.)
<b>Wireless ON/OFF</b>	Available
<b>Wired LAN/Wireless LAN Simultaneous Operation</b>	Wired/Wireless LAN (Infrastructure mode): Not available Wired/Wireless LAN (Wi-Fi Direct): Available Wireless LAN (Infrastructure mode and Wi-Fi Direct): Available

### □ Bluetooth

<b>Standard</b>	Bluetooth V3.0 standard compliant
<b>Frequency Band</b>	2.4 GHz (2402 to 2480 MHz)
<b>Data Rate</b>	Max. 2.1 Mbps (Asymmetric) Max. 1.3 Mbps (Symmetric)
<b>Radio Modulation</b>	FHSS (Frequency Hopping Spread Spectrum)
<b>Transmitter Power</b>	Max. 10 dBm
<b>Support Profile</b>	For Print: HCRP, BIP, OPP, FTP For Keyboard: HID
<b>Bluetooth ON/OFF</b>	Available

#### Tip

- Wireless LAN and Bluetooth can be operated at the same time.
- If you want to use Bluetooth BIP print, contact your service technician or representative.

# INDEX

---

<b>A</b>	
A/B format .....	8, 11, 15
Additional Drawer Module.....	8, 11, 45
<b>B</b>	
Bridge Unit .....	47
Bypass tray .....	9, 12, 16
<b>C</b>	
Center fold.....	42
Continuous copy speed .....	22, 25, 31
<b>D</b>	
Drawer	
acceptable copy paper.....	8, 15
Drawers	
acceptable copy paper.....	11
Dual Scan Document Feeder.....	44
<b>E</b>	
Envelope.....	9, 12, 16
Envelope Drawer.....	9, 46
<b>F</b>	
FAX Unit .....	59
Finisher .....	42, 48
Inner Finisher .....	42, 55
Saddle Stitch Finisher .....	42, 51
Finishing mode	
center fold.....	42
group.....	41
hole punch .....	42
magazine sort .....	42
magazine sort & center fold .....	42
magazine sort & saddle stitch .....	42
manual staple .....	42
non-sort non-staple.....	41
rotate sort .....	42
saddle stitch.....	42
sort .....	41
staple sort .....	42
<b>G</b>	
Group.....	41
<b>H</b>	
Hole punch .....	42
Hole Punch Unit .....	42, 57, 58
<b>I</b>	
Inner Tray .....	42
<b>J</b>	
Job Separator.....	47
<b>K</b>	
K format.....	8, 11, 15
<b>L</b>	
Large Capacity Feeder .....	8, 11, 15, 46
LT format.....	8, 11, 15
<b>M</b>	
Magazine sort.....	42
Magazine sort & center fold .....	42
Magazine sort & saddle stitch .....	42
Manual staple .....	42
Maximum number of sheets available	
for center folding .....	52
Maximum number of sheets available	
for saddle stitching .....	51
Maximum number of sheets available	
for stapling .....	48, 51, 55
<b>N</b>	
Non-sort Non-staple.....	41
Non-standard size .....	8, 11, 15
<b>P</b>	
Paper	
acceptable copy paper .....	8
Paper Feed Pedestal .....	8, 11, 45
Paper Feed Unit.....	8, 45
PCL fonts.....	35
Plain paper.....	8, 11, 15
PS fonts.....	36
<b>R</b>	
Recommended paper.....	8
Recycled paper .....	8, 11
Reversing Automatic Document Feeder .....	44
Rotate sort .....	42
<b>S</b>	
Saddle stitch.....	42
Saddle Stitch Finisher .....	51
Sort.....	41
Special paper.....	12
Staple sort.....	42
<b>T</b>	
Tab paper.....	9, 12, 16
Template.....	38
Thick paper .....	9, 12, 16
Thin paper.....	12, 16
Transparency.....	9, 12, 16
<b>W</b>	
Wireless LAN and Bluetooth units .....	60





**MULTIFUNCTIONAL DIGITAL COLOR SYSTEMS /  
MULTIFUNCTIONAL DIGITAL SYSTEMS**

**Specifications Guide**

**e-STUDIO2010AC/2510AC**

**e-STUDIO2515AC/3015AC/3515AC/4515AC/5015AC**

**e-STUDIO2018A/2518A/3018A/3518A/4518A/5018A**

**TOSHIBA TEC CORPORATION**

1-11-1, OSAKI, SHINAGAWA-KU, TOKYO, 141-8562, JAPAN

